

Easy Drain®

Vinyl



Grate
Build-in set

Zero brushed stainless steel
Water seal 50 mm

Easy Drain Vinyl is specially designed for use in combination with vinyl flooring. The vinyl can easily be clamped between the drain's grate and build-in set to ensure a complete watertight installation. This way, the frame seamlessly fits into the vinyl floor. The Vinyl drain is supplied as complete set including: lockable grate, trap body, drainage siphon and height adjustable legs.

Product benefits

- Connection - 360° rotatable
- Grate - height adjustable
- Trap body - pivoted and adjustable
- Drainage Syphon - removable and cleanable
- Application - vinyl flooring

Technical Information:

Model:

Linear shower drain

Characteristics:

EN 1253 certified, Sound-proof, Waterproof, Wheelchair accessible

Floor Finish:

Vinyl

Floor type:

Concrete / Sand cement, Wooden floor / LEWIS sheets

Grate material:

Brushed stainless steel

Height adjustable stands:

Included

Installation option:

Floor

Outlet:

Horizontal outlet

Pre-assembled sealing membrane:

Not included

Siphon:

Pivoted and adjustable drainage siphon

Water seal height:

50 mm

Grate width:

89 mm

Location in a shower:

Between two walls, Free in the floor, One-sided, Three-fold

Min installation depth:

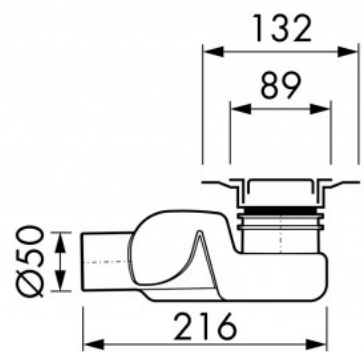
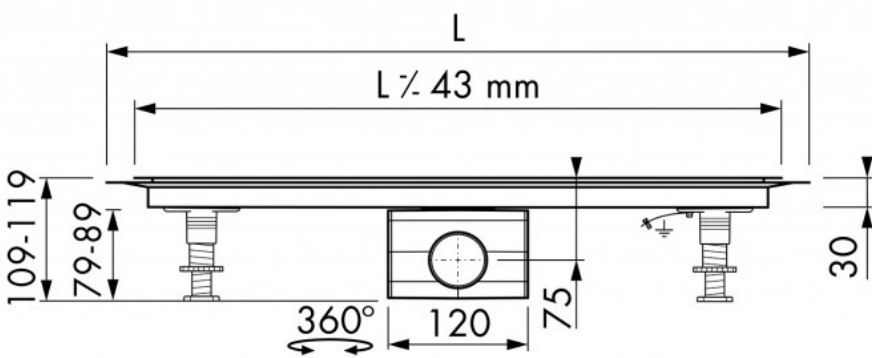
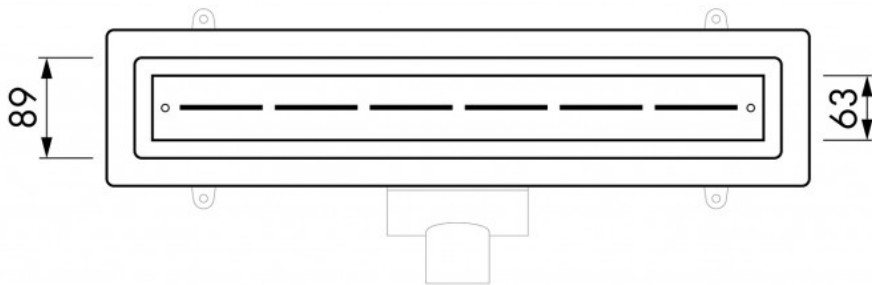
99 mm

Max drainage capacity entrance:

33 l/min

Max drainage capacity backside:

41 l/min



MANUFACTURER
 Easy Sanitary Solutions
 Nijverheidsstraat 60 | 7575 BK Oldenzaal | The Netherlands
 info@esspost.com | www.easydrain.com | www.easydrain.eu

ESS PRODUCTS ARE PATENTED AND REGISTERED TRADEMARKS MADE BY ESS