

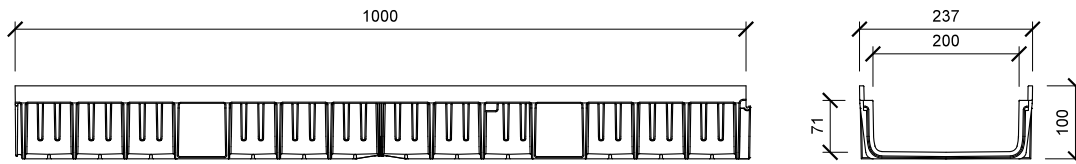
DRAINAGE SYSTEM MEARIN F200



BUILDING SUCCESS

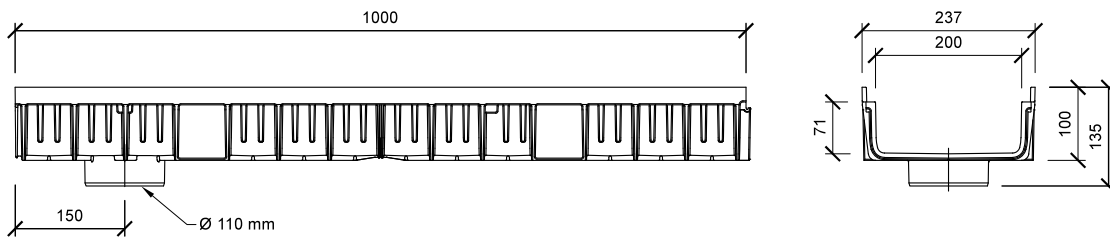
DETAILCHANNEL MEARIN PLUS F 200.0/100

M 1:10



DETAIL CHANNEL MEARIN PLUS F 200.0 A/100 WITH OUTLET DN110

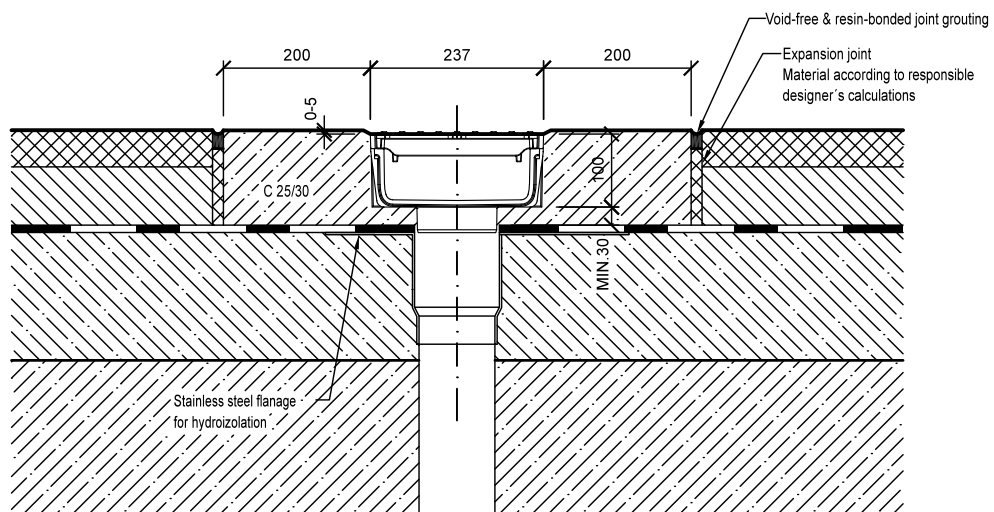
M 1:10



INSTALLATION DETAIL SCHEME

UP TO LOADING CLASS C 250

M 1:10



PRODUCT:

DRAINAGE SYSTEM FROM POLYESTER

TYPE:

MEARIN PLUS F 200



BUILDING SUCCESS

tel: 841 111 128
www.mea-odvodneni.cz