



Easy Drain[®]
by ess

Basic Drain Steps | 50 mm | Zero/Tile grate

Basic Drain Steps is perfect for every type of bathroom. This linear shower drain is supplied with an easy-to-clean water seal and outstanding drainage capacity. Basic Drain Steps is delivered as a complete product and can be placed freely in the floor or mounted against the wall. With the innovative Steps and Water Protection System (WPS) installation is easy with a 100% watertight finish and a 10-year warranty.

FEATURES

- Available lengths - 500 - 1200 mm
- Water Protection System - 10-year warranty
- Tile Adjustable Frame - Height adjustable 7 - 18 mm
- Drainage capacity - according to EN 1253
- Siphon - Easy to clean
- Suitable for - New construction and renovation
- Supplied as - Complete set



Manufacturer

Easy Sanitary Solutions
Nijverheidsstraat 60 | 7575 BK Oldenzaal | The Netherlands
T. +31 (0)541 200 800 | F. +31 (0)541 200 899
info@esspost.com | www.easydrain.com

Contact

Easy Sanitary Solutions
Nijverheidsstraat 60 | 7575 BK Oldenzaal | The Netherlands
T. +31 (0)541 200 800 | F. +31 (0)541 200 899
sales@esspost.com | www.easydrain.com

GENERAL

Serie	Basic Drain
Name	Basic Drain Steps 50 mm Zero/Tile grate
Model	Rectangular shower drain
Length (mm)	500, 600, 700, 800, 900, 1000, 1100, 1200
Product type	Complete
Application	New construction, Renovation
Certification	EN1253, ETAG-022, DIN 18534

INSTALLATION

Substrate	Concrete / Sand Cement, Lewis sheets, Wooden floors
Floor finish	Tiles / Mosaic
Height adjustable feet	Included
Installation option	Wall, Floor
Outlet	Horizontal (Vertical outlet optional)
Connection (mm)	50 (Global) / 56 (UK)
Min. installation depth (mm) (built-in set)	100
Min. installation depth (mm) (incl. grate)	107

DRAINAGE

Max. drainage capacity entrance (l/min)	31
Max. drainage capacity wall (l/min)	36
Max. drainage capacity (l/min)	36

BUILT-IN SET

Pre-assembled sealing membrane	Included
Siphon features	Cleanable, Pivotal & adjustable
Water seal height (mm)	50
Outlet	Horizontal (Vertical outlet optional)
Material siphon	ABS

DESIGN

Grate finish	Brushed stainless steel / Tile
Grate pattern	Zero / Closed
Grate width (mm)	55
Grate tile insert (mm)	12
Adjustable grate	No
Frame type	TAF (Tile Adjustable Frame)
TAF Frame material	Stainless steel (304)
Design frame finish	N.A.
Frame width (mm)	68
Wheelchair accessible	Yes
Extension set available	No



Manufacturer

Easy Sanitary Solutions
 Nijverheidsstraat 60 | 7575 BK Oldenzaal | The Netherlands
 T. +31 (0)541 200 800 | F. +31 (0)541 200 899
 info@esspost.com | www.easydrain.com

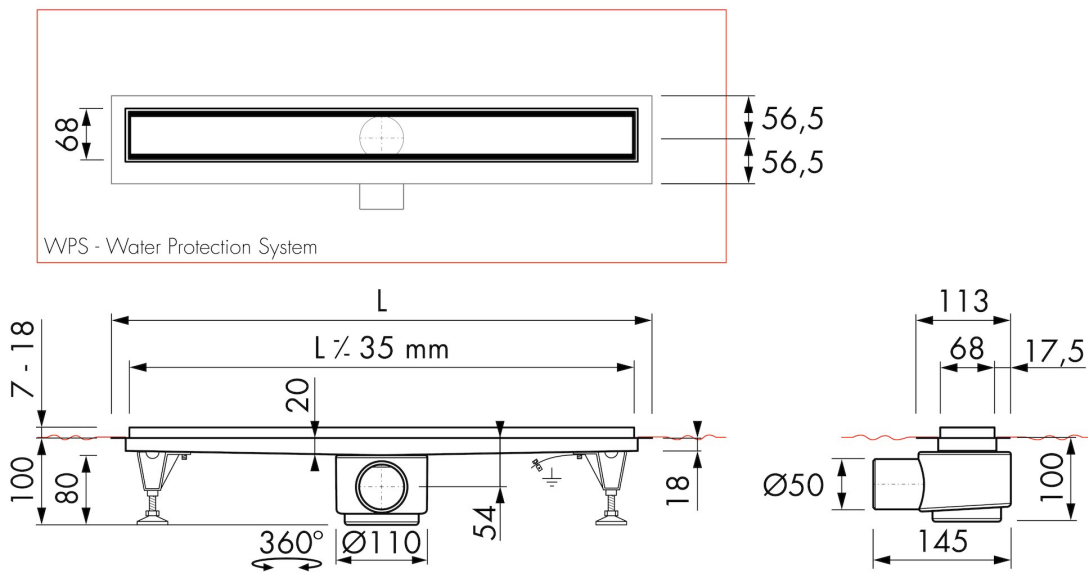
Contact

Easy Sanitary Solutions
 Nijverheidsstraat 60 | 7575 BK Oldenzaal | The Netherlands
 T. +31 (0)541 200 800 | F. +31 (0)541 200 899
 sales@esspost.com | www.easydrain.com

ARTICLE CODE

500 mm	BD-50-STEPS		
600 mm	BD-60-STEPS		
700 mm	BD-70-STEPS		
800 mm	BD-80-STEPS		
900 mm	BD-90-STEPS		
1000 mm	BD-100-STEPS		
1100 mm	BD-110-STEPS		
1200 mm	BD-120-STEPS		

TECHNICAL DRAWINGS



Manufacturer

Easy Sanitary Solutions
 Nijverheidsstraat 60 | 7575 BK Oldenzaal | The Netherlands
 T. +31 (0)541 200 800 | F. +31 (0)541 200 899
 info@esspost.com | www.easydrain.com

Contact

Easy Sanitary Solutions
 Nijverheidsstraat 60 | 7575 BK Oldenzaal | The Netherlands
 T. +31 (0)541 200 800 | F. +31 (0)541 200 899
 sales@esspost.com | www.easydrain.com