

ANRIN SPORT Soft kerbing for edging of tracks, playing fields and long jump pits

- ① **Soft kerbing**
with black rubber profile
- ② **Soft kerbing**
with white rubber profile



Area of use

Outside and inside **track delimiting**

Segment delimiting of playing fields

Edging of jump pits, shot enclosures

Edging of volleyball courts



Jump pit and track edging with soft kerbing

ANRIN SPORT soft kerbings made of resin concrete with EPDM rubber profile in black or white are especially well-suited for the edging of tracks, for delimiting playing fields against segment areas and for edging jump pits or shot

enclosures. The rubber profile is poured in the resin concrete and provides optimal active safety due to the elasticity of the material and the rounded edges. Widths of 5 cm for track delimiting, over 6 cm for jump pits and beach volleyball

courts, up to 10 cm for shot pits and constructions height from 20 to 40 cm offer a multitude of custom construction and design possibilities.

ANRIN SPORT Soft kerbing

	L = 100 cm	L = 50 cm	Corner piece	Area of application
6/40 white	04521000	04521100	04521200	Long and triple jump
6/40 black	04501000	04501100	04501200	
6/30 white	04522000	04522100	04522200	Long and triple jump
6/30 black	04502000	04502100	04502200	
6/25 white	04523000			Edging of tracks and playing fields
6/25 black	04503000			
6/20 white	04524000			Edging of tracks and playing fields
6/20 black	04504000			
5/25 white	04526000			Edging of tracks and playing fields
5/25 black	04506000			
5/20 white	04527000			Edging of tracks and playing fields
5/20 black	04507000			
10/25 black	04509500			Shot enclosures, beach volleyball
10/40 black	04508000			Shot enclosures, beach volleyball

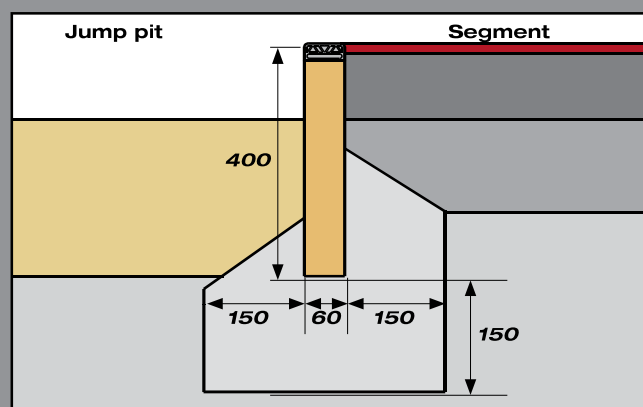
Specifications	Soft kerbing	Length compensation	Corner piece
Material	Resin concrete	Resin concrete	Resin concrete
Length	100.0 cm	50 cm	25 x 25 cm
Width	5.0/6.0/10.0 cm	6.0 cm	6.0 cm
Height	20.0/25.0/30.0/40.0 cm	30.0/40.0 cm	30.0/40.0 cm
Weight	12.5–33.8 kg	10.0/11.1 kg	11.0/12.1 kg

Installation plan

Parts list:	
Soft edge block	
6/40/100	= 28 pcs.
6/40/50	= 4 pcs.
6/40/corner	= 4 pcs.
Sand collecting channel	
100/50/14	= 23 pcs.
112/50/14	= 3 pcs.
End cap	= 4 pcs.

Installation plan for long jump pit edging based on a pit with dimensions of 9.00 x 7.00 m.

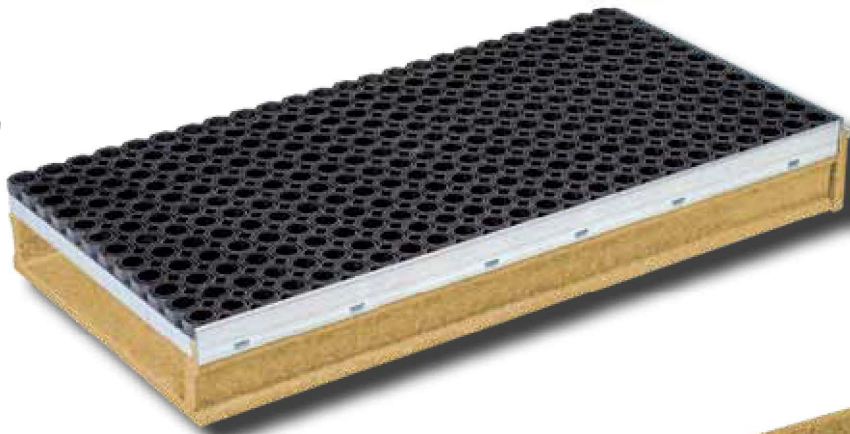
Example installation



**ANRIN SPORT Sand collecting channel
for collecting sand from long jump pits**

- ① **Sand collecting channel**
with end cap, slotted steel grating and
honeycomb mat
- ② **Sand collecting channel**
with end cap

①



②



Edging of a long jump pit with soft kerbing



The ANRIN SPORT sand collecting channel is comprised of a resin concrete tray with surrounding steel edge and a cover made of mesh steel

grating with rubber honeycomb mat on top. For the delimiting of the sand pit against synthetic coated auxiliary surfaces, we recommend installation

in single or double rows. In doing so, excessive dirtying of the synthetic covering is prevented.

ANRIN SPORT Sand collecting channel

Channel with steel edge and rubber mate on steel mesh grating, L = 100 cm	Item 04571000
Channel with steel edge and rubber mate on steel mesh grating, L = 112 cm	Item 04572000
Channel with steel edge and rubber mate on steel mesh grating, L = 67 cm	Item 04571670
End cap with steel edge	Item 04573000

Specifications	Sand collecting channel	Length compensation	End cap
Material	Resin concrete	Resin concrete	Resin concrete
Length	100.0 cm	67.0 and 112.0 cm	
Width	50.0 cm	50.0 cm	50.0 cm
Height	14.0 cm	14.0 cm	14.0 cm
Weight	43.0 kg	48.0 kg	2.9 kg

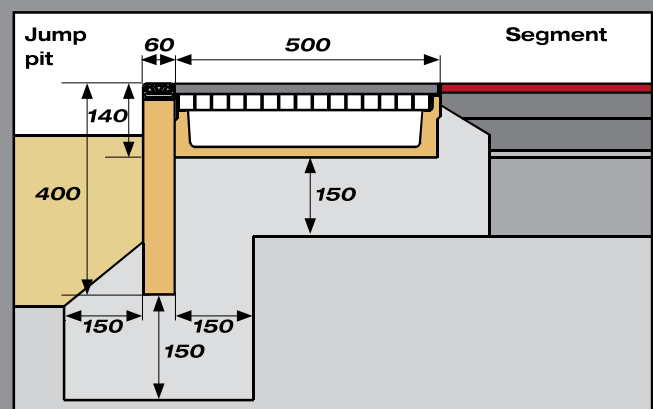
Area of use

Sand collecting channel for collecting sand from long jump pits

Example installation

Parts list:	
Soft edge block	
6/40/100	= 28 pcs.
6/40/50	= 4 pcs.
6/40/corner	= 4 pcs.
Sand collecting channel	
100/50/14	= 23 pcs.
112/50/14	= 3 pcs.
End cap	= 4 pcs.

Installation plan
for long jump pit edging
based on a pit with
dimensions of 9.00 x 7.00 m.



SERVICE

ANRIN provides custom solutions and possibilities for sports facility construction. Here you benefit from reliable cooperation with our technical office staff and good contact with the field staff. ANRIN is certified according to DIN EN ISO 9001.

ANRIN DIRECT CONTACT: **+49 (0) 29 47.97 81-0**

