

interior
innovation
award
2014
Winner

CONTAINER
Space-saving



NEW

CONTAINER

Collection

ESS presents a new range of container accessories and brings with this product line an array of attractive and practical products on the market suitable for bathroom and toilet. This new productline includes a concealed toilet paper storage / holder and a built-in wall niche made of high quality stainless steel in various sizes. You can conveniently stow all your toilet paper, shampoos and shower gel's. The perfect and sleek design of Container products will look harmonious in every bathroom.

All our products are distinctive by:

- Superior quality
- Space saving, stylish and functional design
- Easy installation, simple and uncomplicated sealing and tiling

Needless to say is that all products of this serie meet the high quality standard set by ESS.

4



T - BOX with tileable door

Wall niche **10 or 14 cm** installation depth for **SOLID- AND DRYWALL.**

Inclusive Build-in element & sealing set



8



CONTAINER C - BOX

Wall niche suitable for **0 mm - 55 mm** in depth adjustable, for solid- and drywall incl. build-in element (**10 cm** installation depth) & sealing set.

► Detail-Information see category Container C - Box.



Watertight



Depth
7/10/14 cm



Variable from
0 - 55 mm



Dry wall



Wet wall



Door



Toilet
Product



CONTAINER BOX 10

Wall niche **10 cm** in depth adjustable, for solid- and drywall incl. build-in element

► Detail-Information see category Container Box 10.



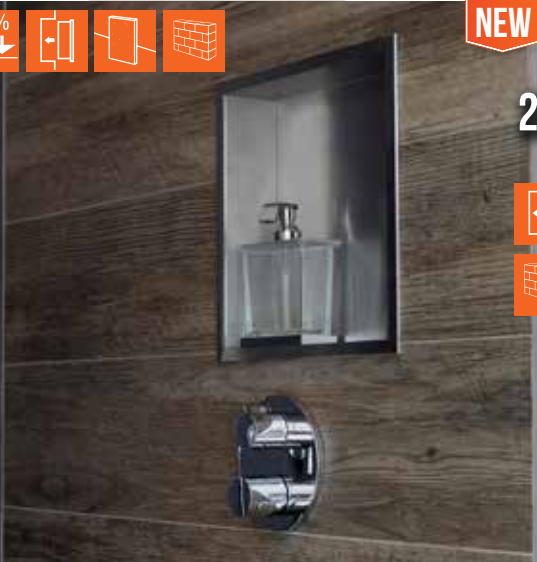
NEW

12



NEW

12



22



CONTAINER BOX 7

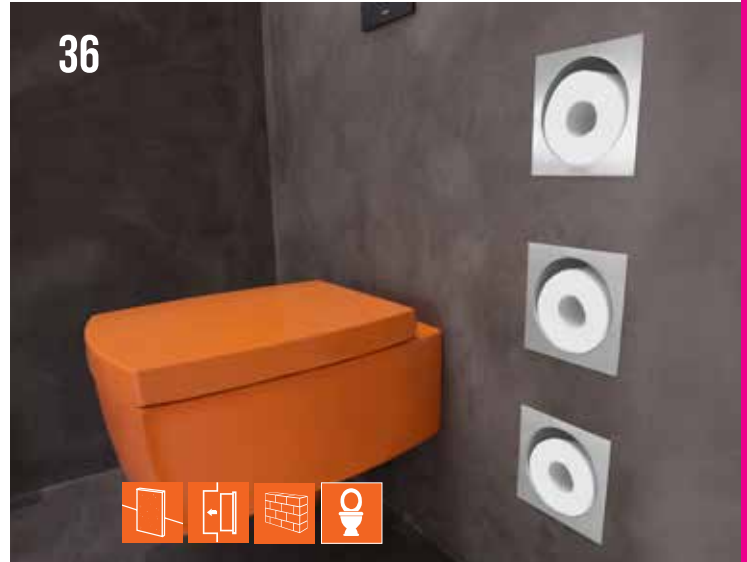
Wall niche **7 cm** installation depth solid wall construction

► Detail-Information see category Container Box 7.

T - ROLL with tileable door

Build-in toilet- Brush holder & Wall niche

Build-in toilet- Brush holder & Paper holder



36



NEW

28



CONTAINER ROLL

Build-in toilet- Brush holder & Wall niche

Build-in toilet- Brush holder & Paper holder

WC - Paper including storage holder for 6 rolls

WC - Paper holder including storage holder for 5 rolls

► Detail-Information see category Container Roll.

NEW

CONTAINER T - BOX

Wall niche **10 or 14 cm installation depth** with tileable door for drywall & solid wall construction. Including Build-in element & sealing set

TILEABLE DOOR

	15x30	30x30
White		
CREME		
ANTHRACITE		
STAINLESS STEEL		





15x30



FOR DRYWALL & SOLID WALL CONSTRUCTION

Size: 150x300x100 mm / 150x300x140 mm

Base material: Stainless steel

WALL NICHE WHITE

Surface: White / RAL 9016
 Size: 150x300x100 150x300x140
 Article code: BOXT-W-15x30x10 BOXT-W-15x30x14



WALL NICHE CREME

Surface: Creme / RAL 9001
 Size: 150x300x100 150x300x140
 Article code: BOXT-C-15x30x10 BOXT-C-15x30x14



WALL NICHE ANTHRACITE

Surface: Anthracite
 Size: 150x300x100 150x300x140
 Article code: BOXT-A-15x30x10 BOXT-A-15x30x14

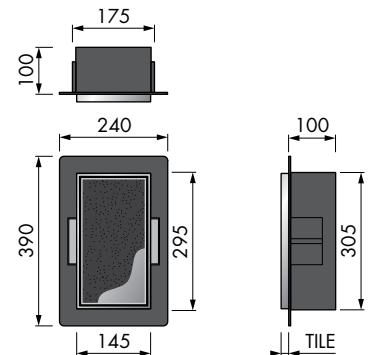


WALL NICHE STAINLESS STEEL

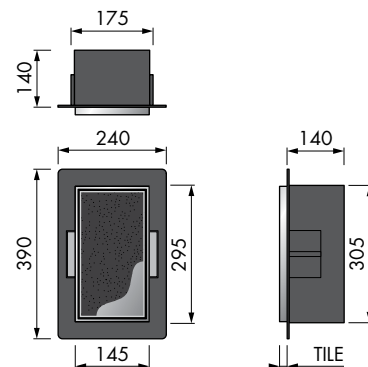
Surface: Brushed stainless steel
 Size: 150x300x100 150x300x140
 Article code: BOXT-15x30x10 BOXT-15x30x14



Wall niche 150 x 300 x 100 mm



Wall niche 150 x 300 x 140 mm



NEW

CONTAINER T - BOX

30x30



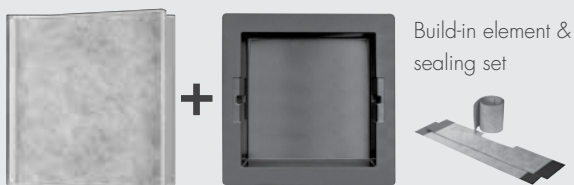
FOR DRYWALL & SOLID WALL CONSTRUCTION

Size: 300x300x100 mm / 300x300x140 mm

Base material: Stainless steel

WALL NICHE WHITE

Surface: White / RAL 9016
 Size: 300x300x100 300x300x140
 Article code: BOXT-W-30x30x10 BOXT-W-30x30x14



Build-in element & sealing set

WALL NICHE CREME

Surface: Creme / RAL 9001
 Size: 300x300x100 300x300x140
 Article code: BOXT-C-30x30x10 BOXT-C-30x30x14



Build-in element & sealing set

WALL NICHE ANTHRACITE

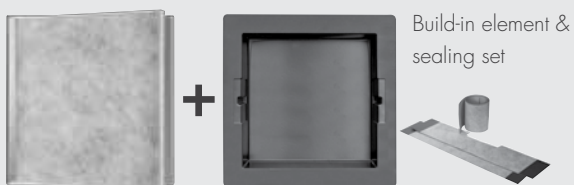
Surface: Anthracite
 Size: 300x300x100 300x300x140
 Article code: BOXT-A-30x30x10 BOXT-A-30x30x14



Build-in element & sealing set

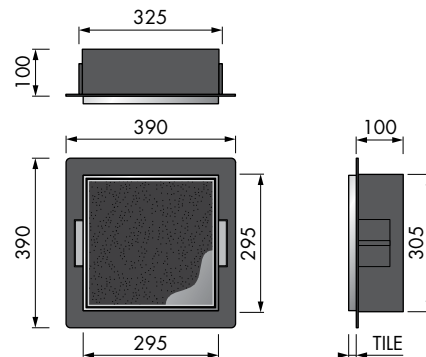
WALL NICHE STAINLESS STEEL

Surface: Brushed stainless steel
 Size: 300x300x100 300x300x140
 Article code: BOXT-30x30x10 BOXT-30x30x14

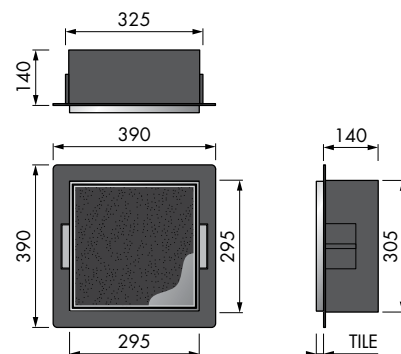


Build-in element & sealing set

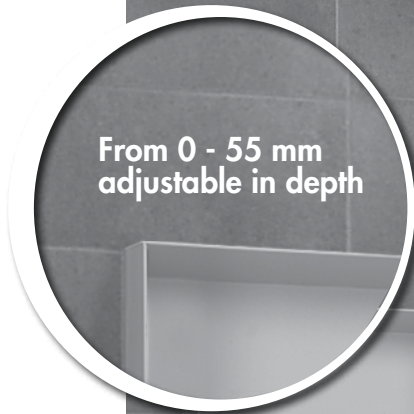
Wall niche 300 x 300 x 100 mm



Wall niche 300 x 300 x 140 mm



Wall niche variable from **0 - 55** mm in depth adjustable, for solid- and drywall incl. build-in element (10 cm installation depth) & sealing set.



White

CREME

15x30



30x30



60x30



STAINLESS STEEL

ANTHRACITE

15x30



30x30



60x30



CONTAINER C-BOX

15x30



FOR DRYWALL & SOLID WALL CONSTRUCTION

Size: 150x300x100 mm
 Base material: Stainless steel

WALL NICHE WHITE

Surface: White / RAL 9016
 Article code: BOX10C-W-15x30x10



WALL NICHE CREME

Surface: Creme / RAL 9001
 Article code: BOX10C-C-15x30x10



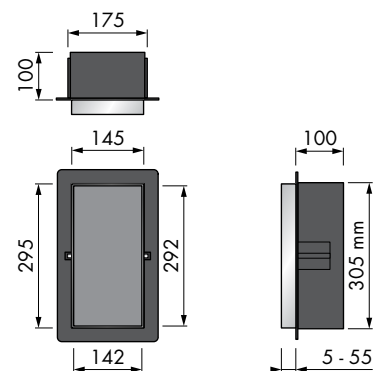
WALL NICHE ANTHRACITE

Surface: Anthracite
 Article code: BOX10C-A-15x30x10



WALL NICHE STAINLESS STEEL

Surface: Brushed stainless steel
 Article code: BOX10C-15x30x10



CO 10

CONTAINER C - BOX

30x30



FOR DRYWALL & SOLID WALL CONSTRUCTION

Size: 300x300x100 mm
 Base material: Stainless steel

WALL NICHE WHITE

Surface: White / RAL 9016
 Article code: BOX10C-W-30x30x10



WALL NICHE CREME

Surface: Creme / RAL 9001
 Article code: BOX10C-C-30x30x10



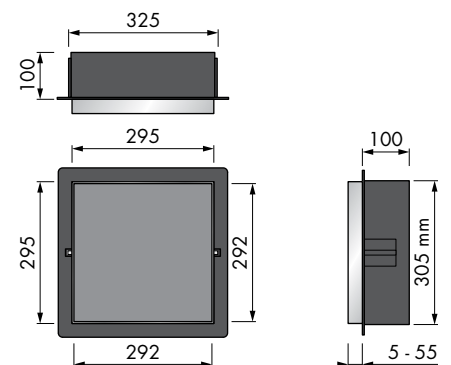
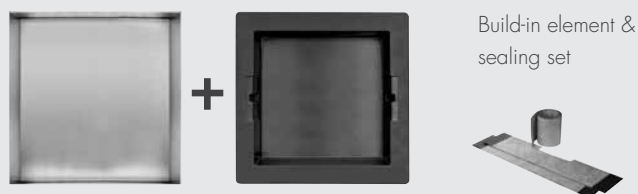
WALL NICHE ANTHRACITE

Surface: Anthracite
 Article code: BOX10C-A-30x30x10



WALL NICHE STAINLESS STEEL

Surface: Brushed stainless steel
 Article code: BOX10C-30x30x10



CONTAINER C-BOX

60x30



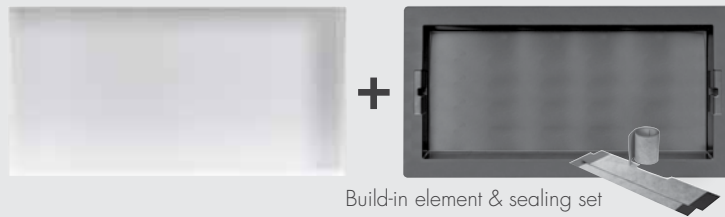
FOR DRYWALL & SOLID WALL CONSTRUCTION

Size: 600x300x100 mm

Base material: Stainless steel

WALL NICHE WHITE

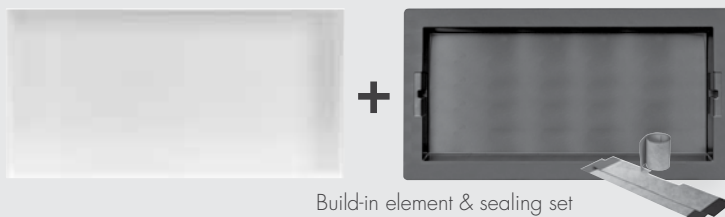
Surface: White / RAL 9016
Article code: BOX10C-W-60x30x10



Build-in element & sealing set

WALL NICHE CREME

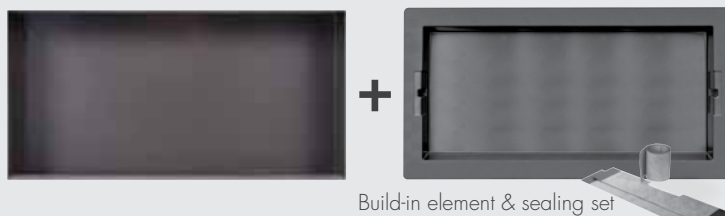
Surface: Creme / RAL 9001
Article code: BOX10C-C-60x30x10



Build-in element & sealing set

WALL NICHE ANTHRACITE

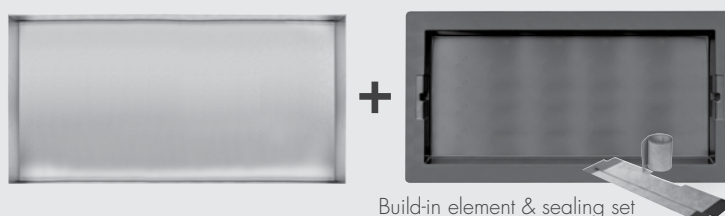
Surface: Anthracite
Article code: BOX10C-A-60x30x10



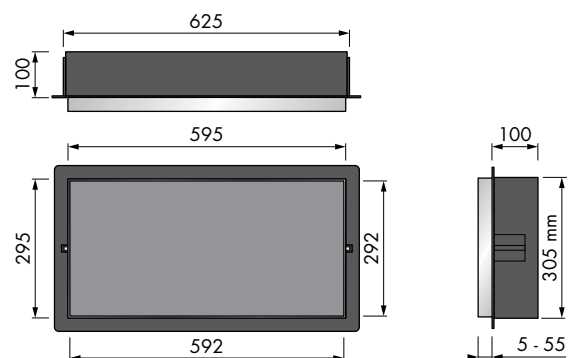
Build-in element & sealing set

WALL NICHE STAINLESS STEEL

Surface: Brushed stainless steel
Article code: BOX10C-60x30x10



Build-in element & sealing set



NEW

CONTAINER BOX 10

Wall niche **10 cm** installation depth for solid- and drywall inclusive
Build-in element & sealing set.



15x30 30x30 60x30

WHITE

BORDER BRUSHED STAINLESS STEEL



BORDER POLISHED



CREME

BORDER BRUSHED STAINLESS STEEL



BORDER POLISHED



ANTHRACITE

BORDER BRUSHED STAINLESS STEEL



BORDER POLISHED



STAINLESS STEEL

BORDER BRUSHED STAINLESS STEEL



BORDER POLISHED



90x30



120x30



STAINLESS STEEL

CONTAINER INCLUDING LED LIGHTING



CONTAINER INCLUDING DOOR



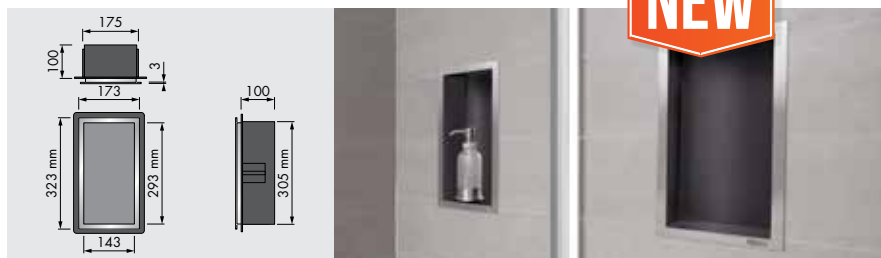
CONTAINER WITH MIRROR





CO 14
CONTAINER BOX 10

15x30



NEW

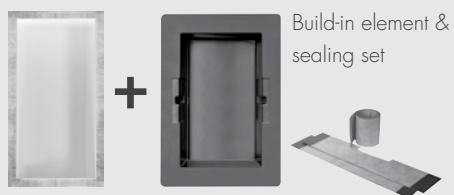
FOR DRYWALL & SOLID WALL CONSTRUCTION

Size: 150x300x100 mm

Base material: Stainless steel

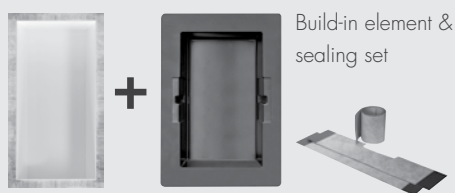
**WALL NICHE WHITE /
 BORDER BRUSHED STAINLESS STEEL**

Surface: White / RAL 9016
 Article code: BOX-15x30x10-W



**WALL NICHE CREME /
 BORDER BRUSHED STAINLESS STEEL**

Surface: Creme / RAL 9001
 Article code: BOX-15x30x10-C



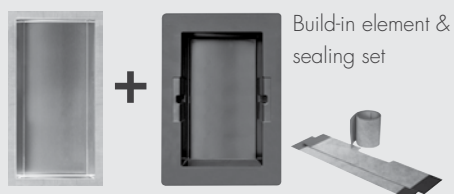
**WALL NICHE ANTHRACITE /
 BORDER BRUSHED STAINLESS STEEL**

Surface: Anthracite
 Article code: BOX-15x30x10-A



**WALL NICHE STAINLESS STEEL
 BORDER BRUSHED STAINLESS STEEL**

Surface: Brushed stainless steel
 Article code: BOX-15x30x10



**WALL NICHE WHITE /
 BORDER POLISHED**

Surface: White / RAL 9016
 Article code: BOX-15x30x10-PW



**WALL NICHE CREME /
 BORDER POLISHED**

Surface: Creme / RAL 9001
 Article code: BOX-15x30x10-PC



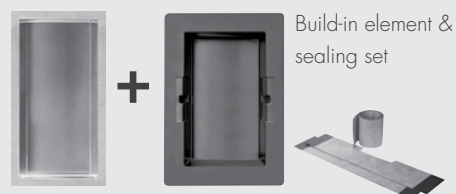
**WALL NICHE ANTHRACITE /
 BORDER POLISHED**

Surface: Anthracite
 Article code: BOX-15x30x10-PA



**WALL NICHE STAINLESS STEEL
 BORDER POLISHED**

Surface: Brushed stainless steel
 Article code: BOX-15x30x10-P



NEW

CONTAINER BOX 10

15x30



FOR DRYWALL & SOLID WALL CONSTRUCTION

Size: 150x300x100 mm
 Base material: Stainless steel

WALL NICHE WITH LED LIGHTING

BORDER BRUSHED STAINLESS STEEL

Surface: Brushed stainless steel
 Article code: BOX-15x30x10-L

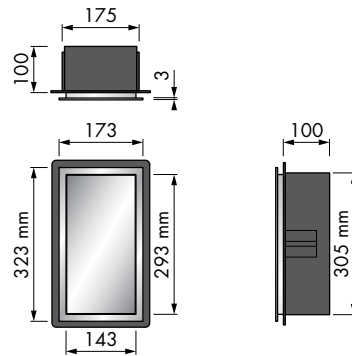
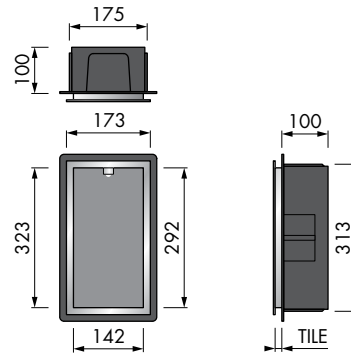
NEW



WALL NICHE WITH DOOR

BORDER BRUSHED STAINLESS STEEL

Surface: Brushed stainless steel
 Article code: BOX-15x30x10-D

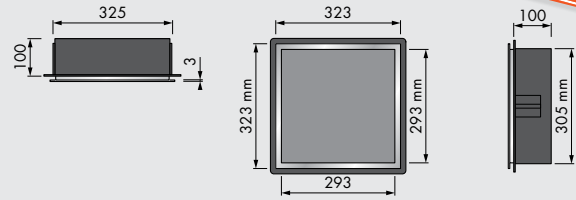


CO 16
CONTAINER BOX 10

30x30



NEW



FOR DRYWALL & SOLID WALL CONSTRUCTION

Size: 300x300x100 mm
 Base material: Stainless steel

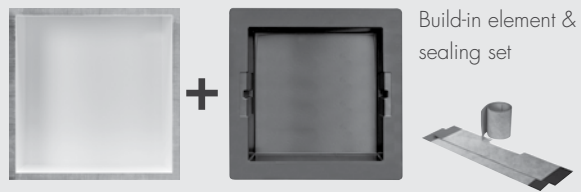
**WALL NICHE WHITE /
 BORDER BRUSHED STAINLESS STEEL**

Surface: White / RAL 9016
 Article code: BOX-30x30x10-W



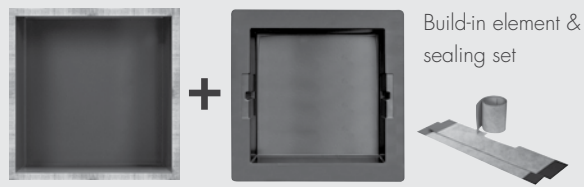
**WALL NICHE CREME /
 BORDER BRUSHED STAINLESS STEEL**

Surface: Creme / RAL 9001
 Article code: BOX-30x30x10-C



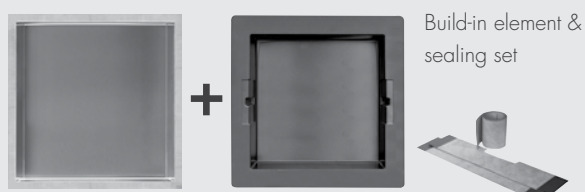
**WALL NICHE ANTHRACITE /
 BORDER BRUSHED STAINLESS STEEL**

Surface: Anthracite
 Article code: BOX-30x30x10-A



**WALL NICHE STAINLESS STEEL /
 BORDER BRUSHED STAINLESS STEEL**

Surface: Brushed stainless steel
 Article code: BOX-30x30x10



**WALL NICHE WHITE /
 BORDER POLISHED**

Surface: White / RAL 9016
 Article code: BOX-30x30x10-PW



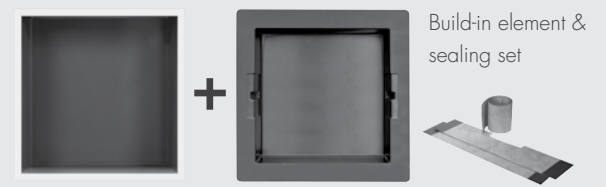
**WALL NICHE CREME /
 BORDER POLISHED**

Surface: Creme / RAL 9001
 Article code: BOX-30x30x10-PC



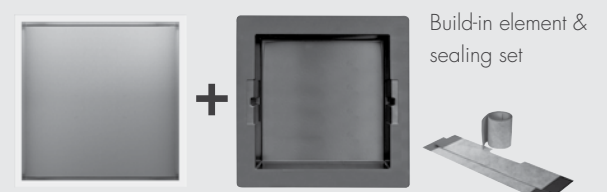
**WALL NICHE ANTHRACITE /
 BORDER POLISHED**

Surface: Anthracite
 Article code: BOX-30x30x10-PA



**WALL NICHE STAINLESS STEEL /
 BORDER POLISHED**

Surface: Brushed stainless steel
 Article code: BOX-30x30x10-P



NEW

CONTAINER BOX 10

30x30



FOR DRYWALL & SOLID WALL CONSTRUCTION

Size: 300x300x100 mm
Base material: Stainless steel

WALL NICHE WITH LED LIGHTING BORDER BRUSHED STAINLESS STEEL

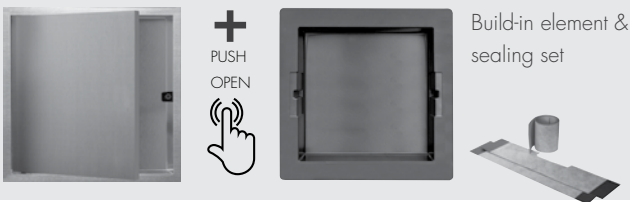
Surface: Brushed stainless steel
Article code: BOX-30x30x10-L

NEW



WALL NICHE WITH DOOR BORDER BRUSHED STAINLESS STEEL

Surface: Brushed stainless steel
Article code: BOX-30x30x10-D

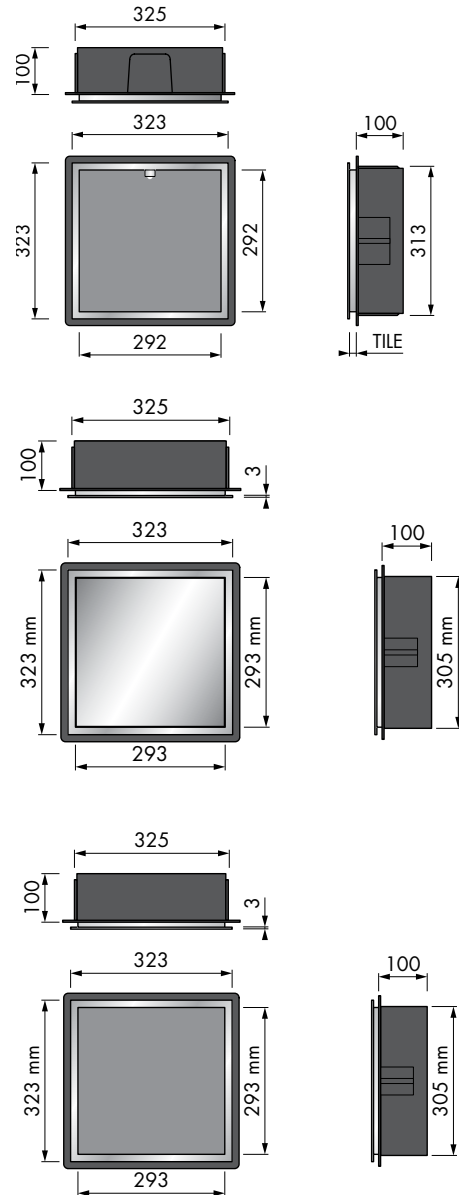


WALL NICHE WITH MIRROR BORDER BRUSHED STAINLESS STEEL

Surface: Brushed stainless steel
Article code: BOX-30x30x10-S

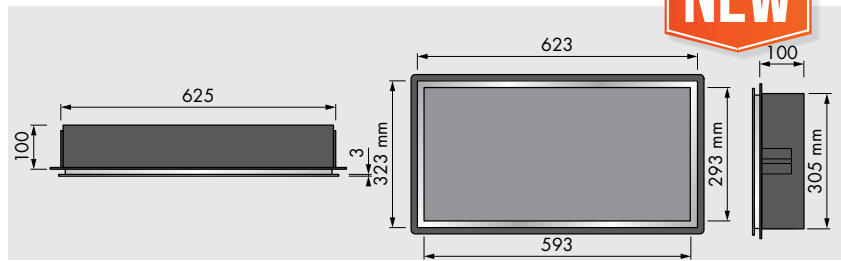


Mirror also suitable for shower area



CONTAINER BOX 10

60x30



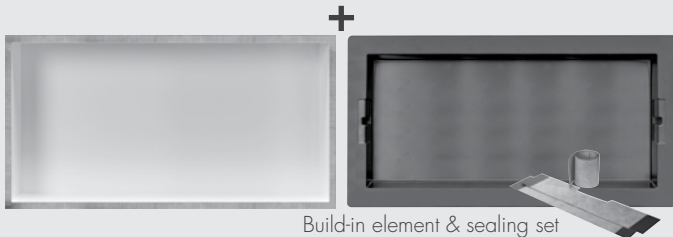
NEW

FOR DRYWALL & SOLID WALL CONSTRUCTION

Size: 600x300x100 mm

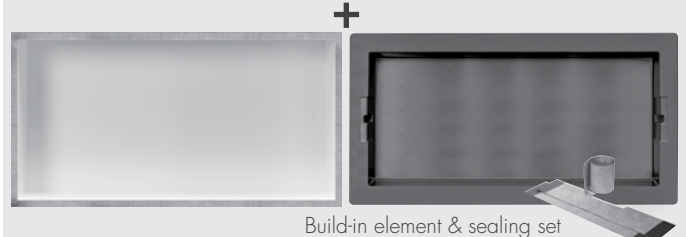
Base material: Stainless steel

**WALL NICHE WHITE /
BORDER BRUSHED STAINLESS STEEL**

 Surface: White / RAL 9016
 Article code: BOX-60x30x10-W


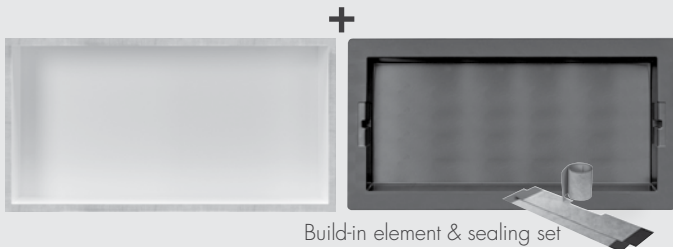
Build-in element & sealing set

**WALL NICHE WHITE /
BORDER POLISHED**

 Surface: White / RAL 9016
 Article code: BOX-60x30x10-PW


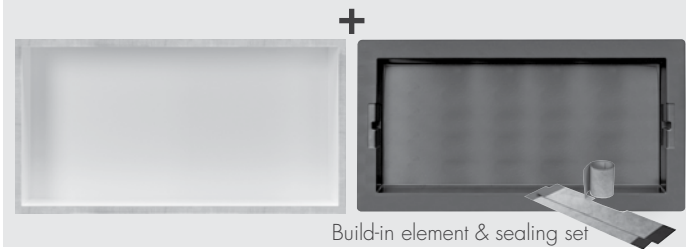
Build-in element & sealing set

**WALL NICHE CREME /
BORDER BRUSHED STAINLESS STEEL**

 Surface: Creme / RAL 9001
 Article code: BOX-60x30x10-C


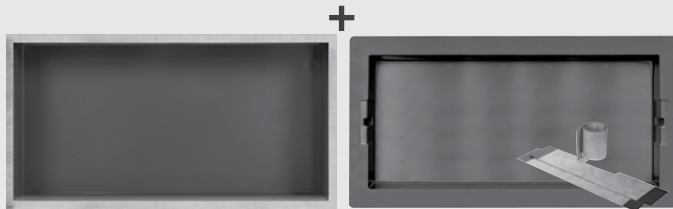
Build-in element & sealing set

**WALL NICHE CREME /
BORDER POLISHED**

 Surface: Creme / RAL 9001
 Article code: BOX-60x30x10-PC


Build-in element & sealing set

**WALL NICHE ANTHRACITE /
BORDER BRUSHED STAINLESS STEEL**

 Surface: Anthracite
 Article code: BOX-60x30x10-A


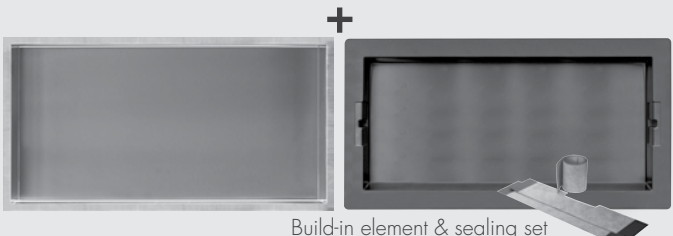
Build-in element & sealing set

**WALL NICHE ANTHRACITE /
BORDER POLISHED**

 Surface: Anthracite
 Article code: BOX-60x30x10-PA

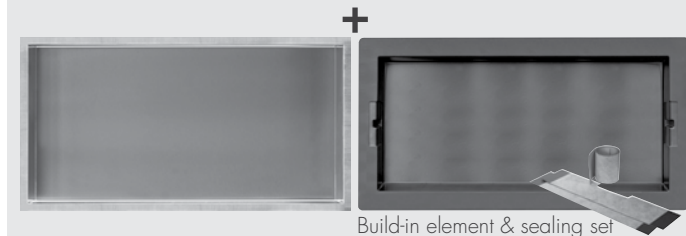

Build-in element & sealing set

**WALL NICHE STAINLESS STEEL
BORDER BRUSHED STAINLESS STEEL**

 Surface: Brushed stainless steel
 Article code: BOX-60x30x10


Build-in element & sealing set

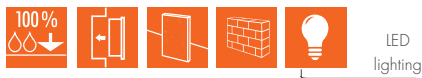
**WALL NICHE STAINLESS STEEL /
BORDER POLISHED**

 Surface: Brushed stainless steel
 Artikelnummer: BOX-60x30x10-P


Build-in element & sealing set

CONTAINER BOX 10

60x30



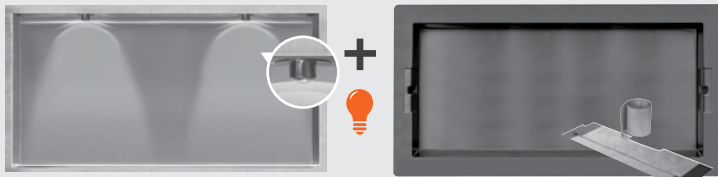
FOR DRYWALL & SOLID WALL CONSTRUCTION

Size: 600x300x100 mm
Base material: Stainless steel

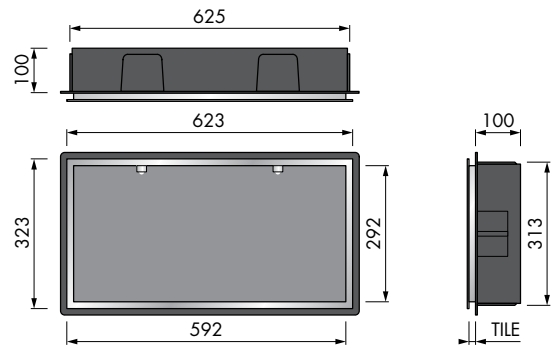
WALL NICHE WITH LED LIGHTING BORDER BRUSHED STAINLESS STEEL

Surface: Brushed stainless steel
Article code: BOX-60x30x10-L

NEW



Build-in element & sealing set

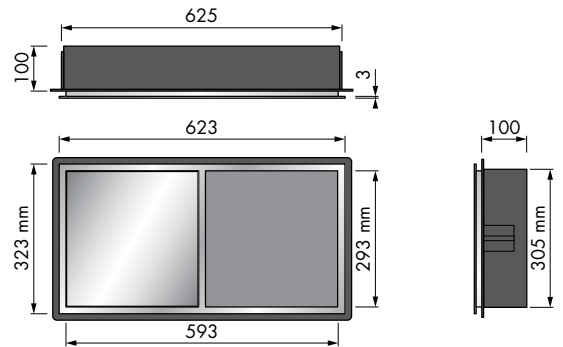


WALL NICHE WITH DOOR BORDER BRUSHED STAINLESS STEEL

Surface: Brushed stainless steel
Article code: BOX-60x30x10-D



Build-in element & sealing set



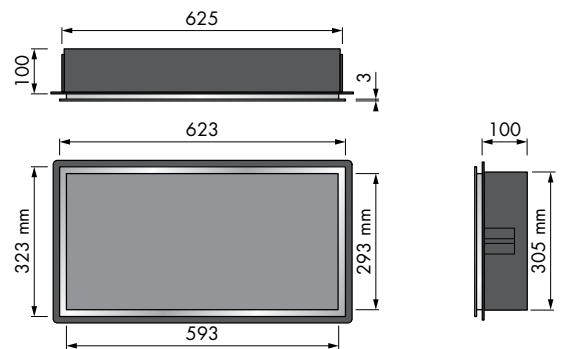
WALL NICHE WITH MIRROR BORDER BRUSHED STAINLESS STEEL

Surface: Brushed stainless steel
Article code: BOX-60x30x10-S

Mirror also suitable for shower area



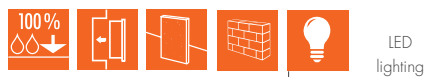
Build-in element & sealing set



CO 20

CONTAINER BOX 10

90x30



NEW



FOR DRYWALL & SOLID WALL CONSTRUCTION

Size: 900x300x100 mm

Base material: Stainless steel

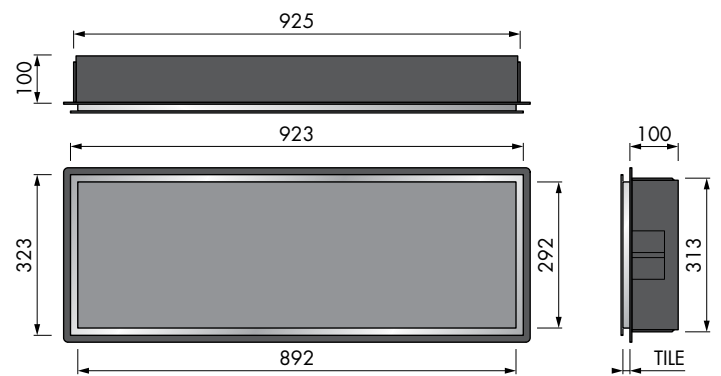
WALL NICHE

BORDER BRUSHED STAINLESS STEEL

Surface: Brushed stainless steel
 Article code: BOX-90x30x10



Build-in element & sealing set



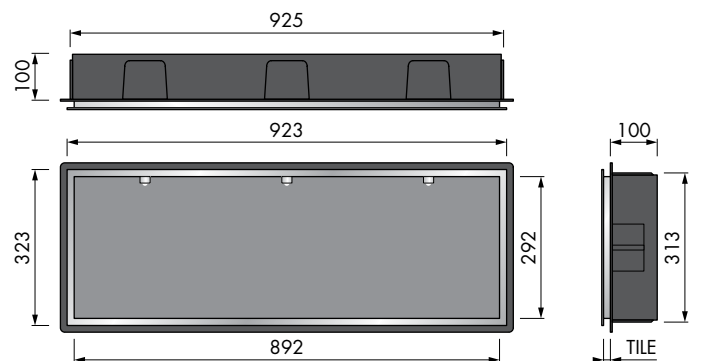
WALL NICHE WITH LED LIGHTING

BORDER BRUSHED STAINLESS STEEL

Surface: Brushed stainless steel
 Article code: BOX-90x30x10-L



Build-in element & sealing set



NEW

CONTAINER BOX 10

120x30



FOR DRYWALL & SOLID WALL CONSTRUCTION

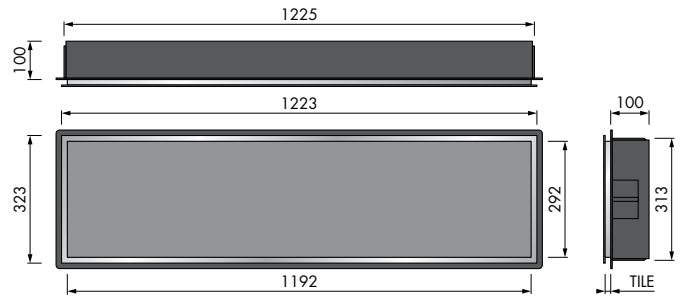
Size: 600x300x100 mm
Base material: Stainless steel

WALL NICHE BORDER BRUSHED STAINLESS STEEL

Surface: Brushed stainless steel
Article code: BOX-120x30x10



Build-in element & sealing set

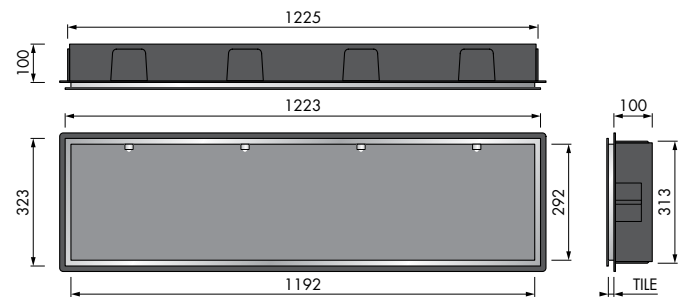


WALL NICHE WITH LED LIGHTING BORDER BRUSHED STAINLESS STEEL

Surface: Brushed stainless steel
Article code: BOX-120x30x10-L

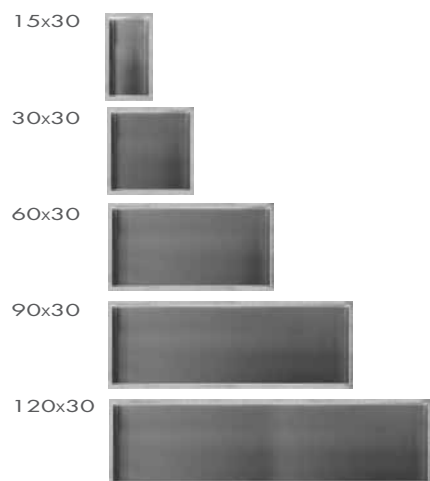


Build-in element & sealing set



CONTAINER BOX 7

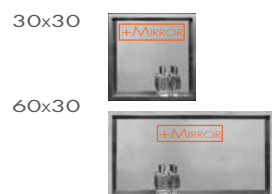
Wall niche 7 cm installation depth for solid wall construction



CONTAINER INCLUDING DOOR



CONTAINER INCLUDING MIRROR





CO 24

CONTAINER BOX 7

15x30



FOR SOLID WALL CONSTRUCTION

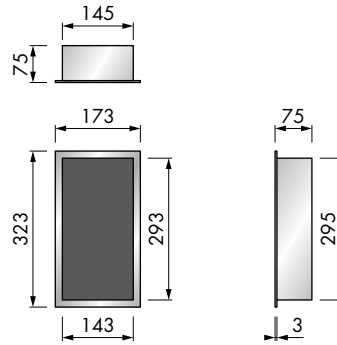
Size: 150x300x70 mm

Base material: Stainless steel

WALL NICHE

BORDER BRUSHED STAINLESS STEEL

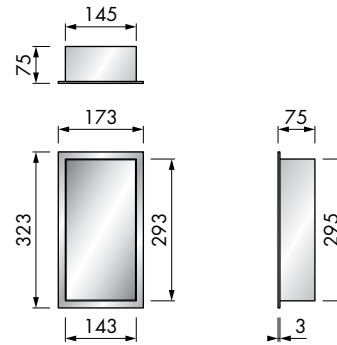
Surface: Brushed stainless steel
Article code: BOX-15x30



WALL NICHE WITH DOOR

BORDER BRUSHED STAINLESS STEEL

Surface: Brushed stainless steel
Article code: BOX-15x30-D



CONTAINER BOX 7

30x30

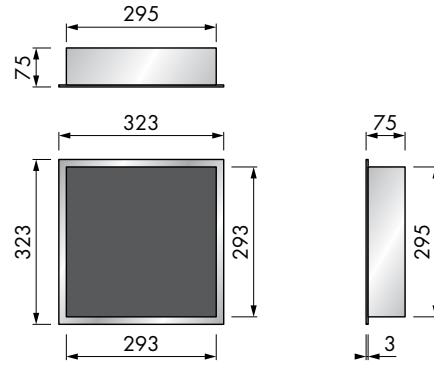
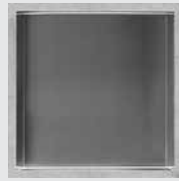


FOR SOLID WALL CONSTRUCTION

Size: 300x300x70 mm
 Base material: Stainless steel

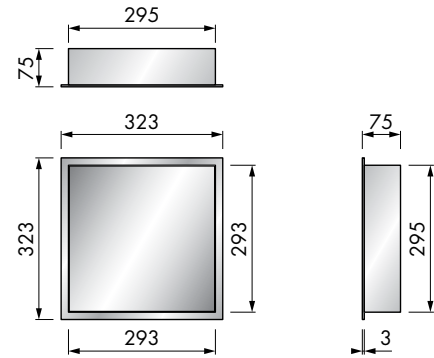
WALL NICHE
BORDER BRUSHED STAINLESS STEEL

Surface: Brushed stainless steel
 Article code: BOX-30x30



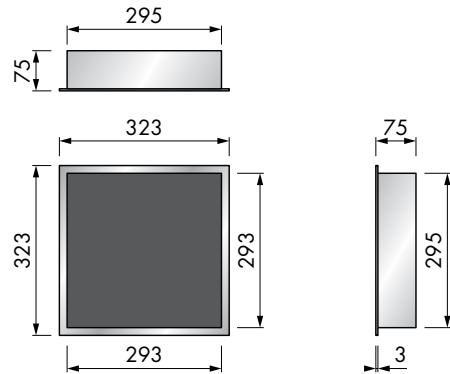
WALL NICHE WITH DOOR
BORDER BRUSHED STAINLESS STEEL

Surface: Brushed stainless steel
 Article code: BOX-30x30-D



WALL NICHE WITH MIRROR
BORDER BRUSHED STAINLESS STEEL

Surface: Brushed stainless steel
 Article code: BOX-30x30-S



Also suitable for shower area

CONTAINER BOX 7

60x30



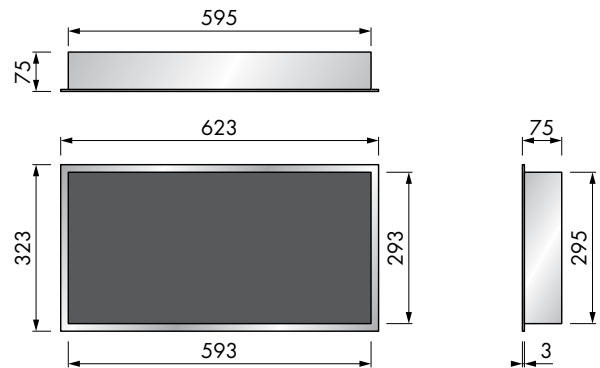
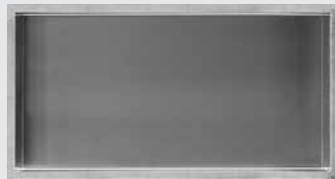
FOR SOLID WALL CONSTRUCTION

Size: 600x300x70 mm
 Base material: Stainless steel

WALL NICHE

BORDER BRUSHED STAINLESS STEEL

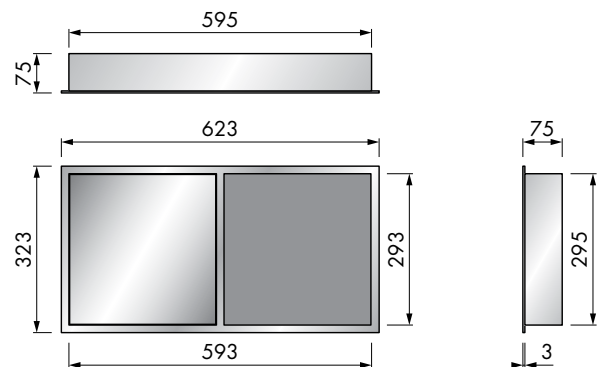
Surface: Brushed stainless steel
 Article code: BOX-60x30



WALL NICHE WITH DOOR

BORDER BRUSHED STAINLESS STEEL

Surface: Brushed stainless steel
 Article code: BOX-60x30-D



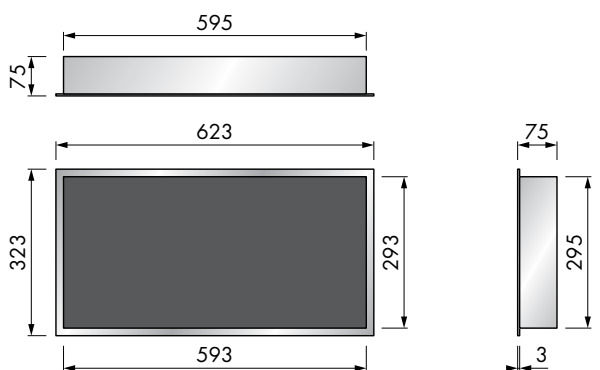
WALL NICHE WITH MIRROR

BORDER BRUSHED STAINLESS STEEL

Surface: Brushed stainless steel
 Article code: BOX-60x30-S



Also suitable for shower area



CONTAINER BOX 7

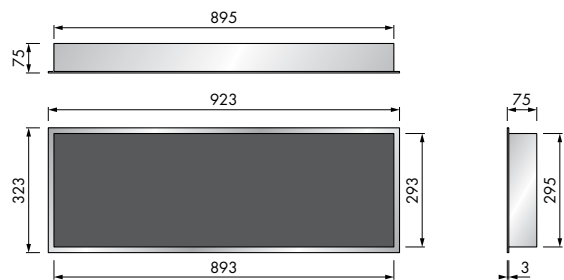
90x30 | 120x30



FOR SOLID WALL CONSTRUCTION
Base material: Stainless steel

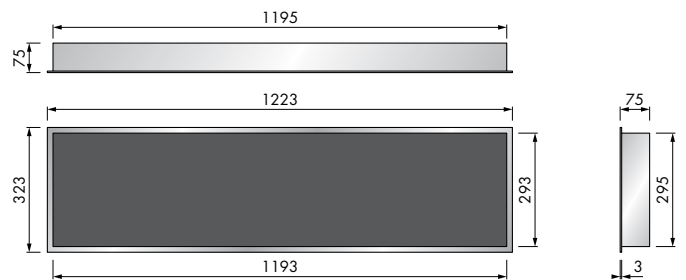
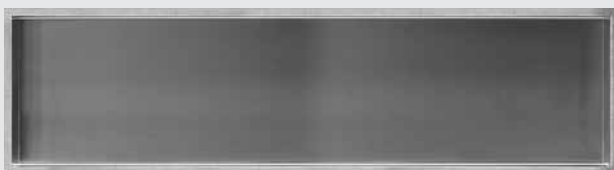
WALL NICHE 90 X 30 CM BORDER BRUSHED STAINLESS STEEL

Size: 900x300x70 mm
Surface: Brushed stainless steel
Article code: BOX-90x30



WALL NICHE 120 X 30 CM BORDER BRUSHED STAINLESS STEEL

Size: 1200x300x70 mm
Surface: Brushed stainless steel
Article code: BOX-120x30



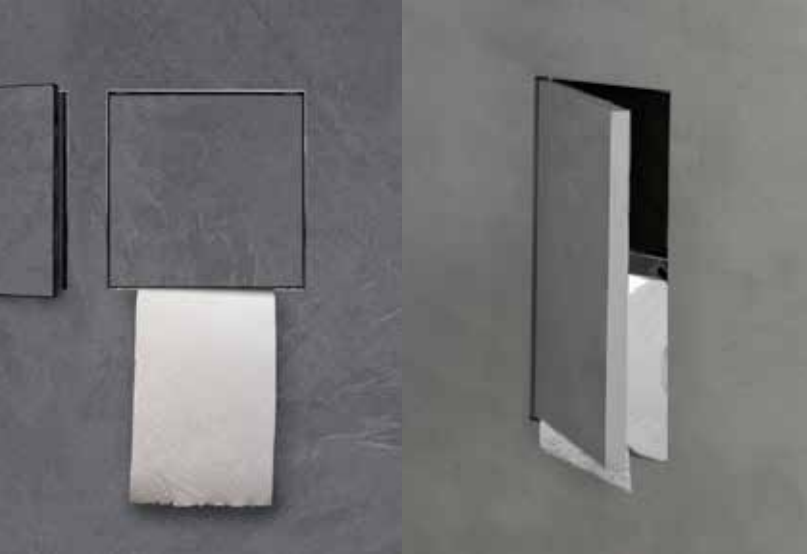
NEW

CONTAINER T - ROLL

Wall niche **14 cm installation depth** with tileable door for solid- and drywall. incl. build-in element, Sealing set & Brush holder.

TILEABLE

	White	CREME	ANTHRACITE	STAINLESS STEEL
BRUSH HOLDER & WALL NICHE				
BRUSH HOLDER & PAPERHOLDER				
BRUSH HOLDER & WALL NICHE				
WASTE CONTAINER & STORAGE COMPARTMENT				
WC - PAPERHOLDER 15x15				
WC - PAPERHOLDER & WALL NICHE 15x30				





FOR DRYWALL & SOLID WALL CONSTRUCTION
Base material: Stainless steel

BUILD-IN TOILET- BRUSH HOLDER & PAPERHOLDER WHITE

Size: 595x145 mm
Surface: White / RAL 9016
Article code: TCL-9-W

Build-in element & sealing set



BUILD-IN TOILET- BRUSH HOLDER & PAPERHOLDER CREME

Size: 595x145 mm
Surface Farbe: Creme / RAL 9001
Article code: TCL-9-C

Build-in element & sealing set



BUILD-IN TOILET- BRUSH HOLDER & PAPERHOLDER ANTHRACITE

Size: 595x145 mm
Surface: Anthracite
Article code: TCL-9-A

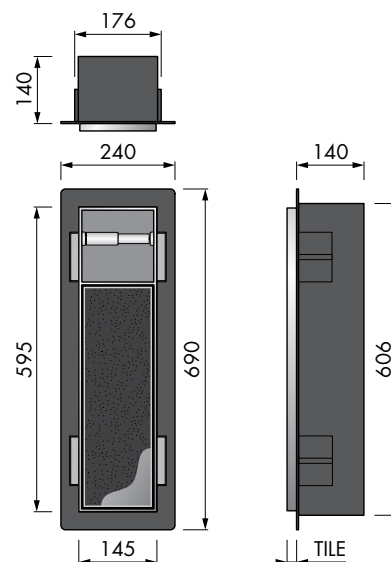
Build-in element & sealing set



BUILD-IN TOILET- BRUSH HOLDER & PAPERHOLDER STAINLESS STEEL

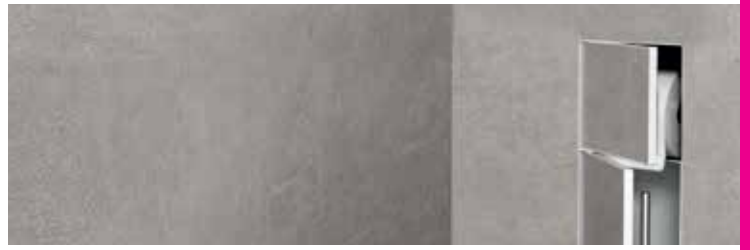
Size: 595x145 mm
Surface: Brushed stainless steel
Article code: TCL-9

Build-in element & sealing set



NEW

CONTAINER T - ROLL



FOR DRYWALL & SOLID WALL CONSTRUCTION

Base material: Stainless steel

BUILD-IN TOILET- BRUSH HOLDER & PAPERHOLDER WHITE

Size: 595x145 mm
 Surface: White / RAL 9016
 Article code: TCL-10-W

Build-in element & sealing set



BUILD-IN TOILET- BRUSH HOLDER & PAPERHOLDER CREME

Size: 595x145 mm
 Surface: Creme / RAL 9001
 Article code: TCL-10-C

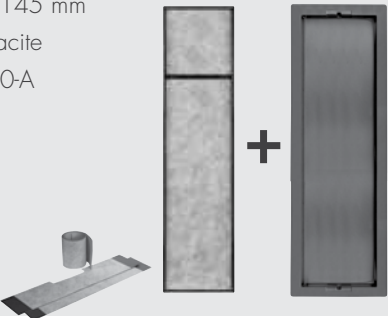
Build-in element & sealing set



BUILD-IN TOILET- BRUSH HOLDER & PAPERHOLDER ANTHRACITE

Size: 595x145 mm
 Surface: Anthracite
 Article code: TCL-10-A

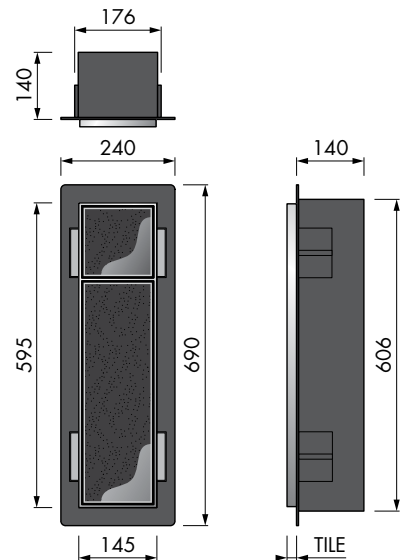
Build-in element & sealing set



BUILD-IN TOILET- BRUSH HOLDER & PAPERHOLDER STAINLESS STEEL

Size: 595x145 mm
 Surface: Brushed stainless steel
 Article code: TCL-10

Build-in element & sealing set





FOR DRYWALL & SOLID WALL CONSTRUCTION
Base material: Stainless steel

BUILD-IN WASTE CONTAINER & STORAGE COMPARTMENT, TILEABLE WHITE

Size: 595x145 mm
Surface: White / RAL 9016
Article code: TCL-11-W

Build-in element & sealing set



BUILD-IN WASTE CONTAINER & STORAGE COMPARTMENT, TILEABLE CREME

Size: 595x145 mm
Surface: Creme / RAL 9001
Article code: TCL-11-C

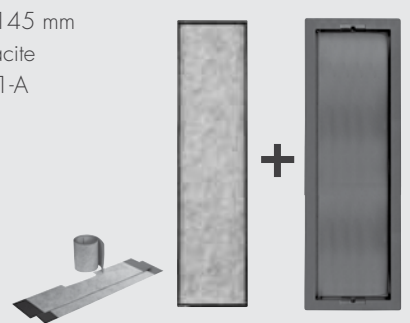
Build-in element & sealing set



BUILD-IN WASTE CONTAINER & STORAGE COMPARTMENT, TILEABLE ANTHRACITE

Size: 595x145 mm
Surface Farbe: Anthracite
Article code: TCL-11-A

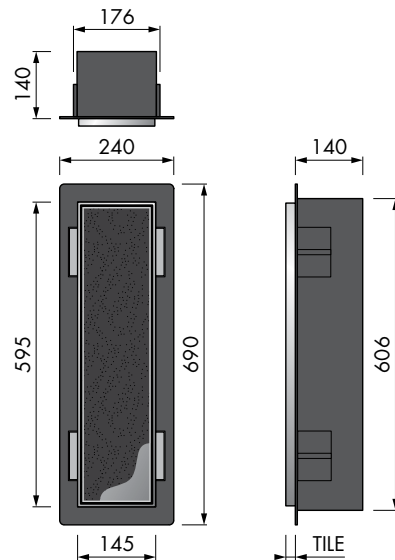
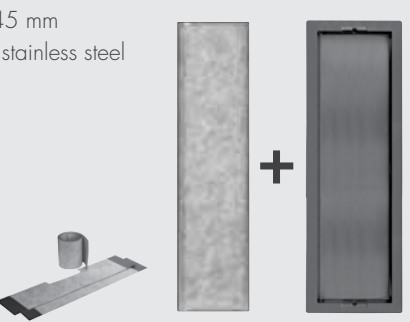
Build-in element & sealing set



BUILD-IN WASTE CONTAINER & STORAGE COMPARTMENT, TILEABLE STAINLESS STEEL

Size: 595x145 mm
Surface: Brushed stainless steel
Article code: TCL-11

Build-in element & sealing set



NEW

CONTAINER T - ROLL



FOR DRYWALL & SOLID WALL CONSTRUCTION

150 x 150 x 140 mm

Base material: Stainless steel

WALL NICHE / PAPERHOLDER 15 x 15 WHITE

Size: 150x150x140
 Surface: White / RAL 9016
 Article code: BOXT-W-15x15x14



Build-in element & sealing set

WALL NICHE / PAPERHOLDER 15 x 15 CREME

Size: 150x150x140
 Surface: Creme / RAL 9001
 Article code: BOXT-C-15x15x14



Build-in element & sealing set

WALL NICHE / PAPERHOLDER 15 x 15 ANTHRACITE

Size: 150x150x140
 Surface: Anthracite
 Article code: BOXT-A-15-15-14



Build-in element & sealing set

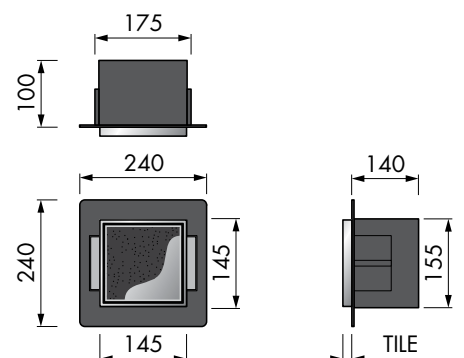
WALL NICHE / PAPERHOLDER 15 x 15 STAINLESS STEEL

Size: 150x150x140
 Surface: Brushed stainless steel
 Article code: BOXT-15x15x14



Build-in element & sealing setw

Wall niche 150 x 150 x 140 mm



CONTAINER T - ROLL

NEW



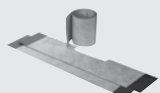
FOR DRYWALL & SOLID WALL CONSTRUCTION

Size: 150x300x140 mm

Base material: Stainless steel

WALL NICHE 15 x 30 WHITE

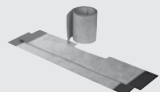
Size: 150x300x140
Surface: White / RAL 9016
Article code: TCL-12-W



Build-in element & sealing set

WALL NICHE 15 x 30 CREME

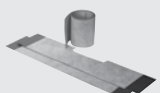
Size: 150x300x140
Surface: Creme / RAL 9001
Article code: TCL-12-C



Build-in element & sealing set

WALL NICHE 15 x 30 ANTHRACITE

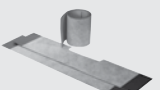
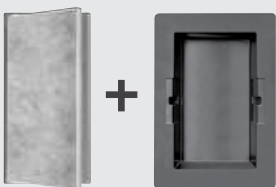
Size: 150x300x140
Surface: Anthracite
Article code: TCL-12-A



Build-in element & sealing set

WALL NICHE 15 x 30 STAINLESS STEEL

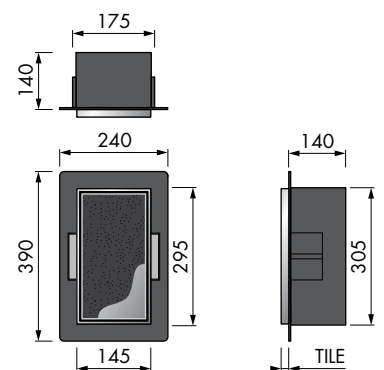
Size: 150x300x140
Surface: Brushed stainless steel
Article code: TCL-12



Build-in element & sealing set



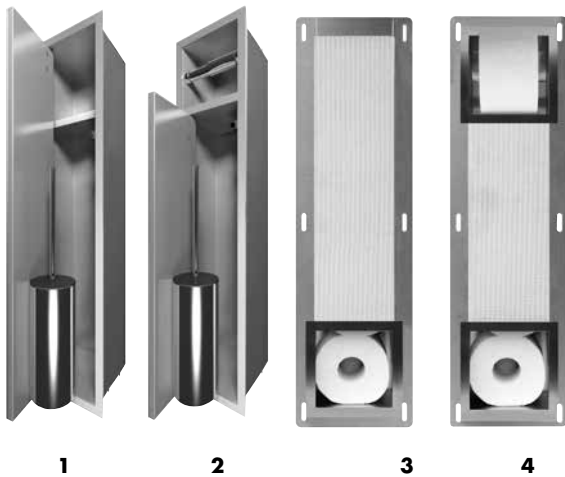
Wall niche 150 x 300 x 140 mm





CONTAINER ROLL

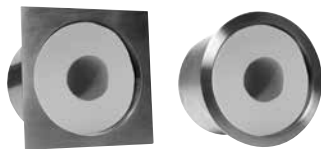
- Choose quality and style
- Installation depth 86 mm
- Brushed stainless steel finish
- Offers space saving solutions
- Easy and quick installation
- Incl. build-in element
- Delivery includes brush set



CONTAINER ROLL

- 1.** Build-in toilet - brush holder & wall niche
- 2.** Build-in toilet - brush holder & paper holder
- 3.** Toilet paper storage for 6 rolls
- 4.** Toilet paper holder including storage for 5 rolls

For drywall & solid wall construction



CONTAINER ROLL

Toilet paper storage for 1 roll

For drywall & solid wall construction



CONTAINER ROLL

Toilet paper holder

For drywall & solid wall construction





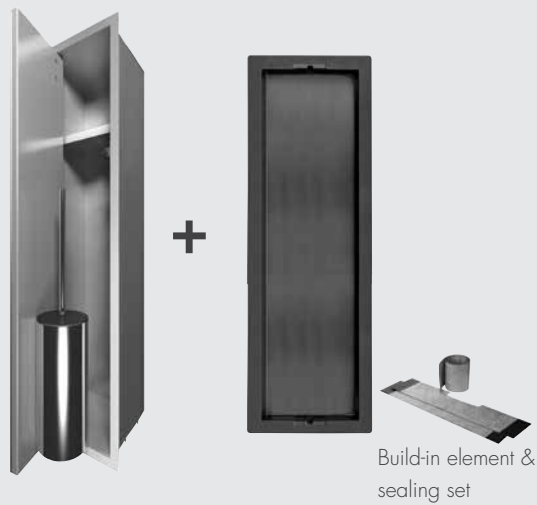
CONTAINER ROLL



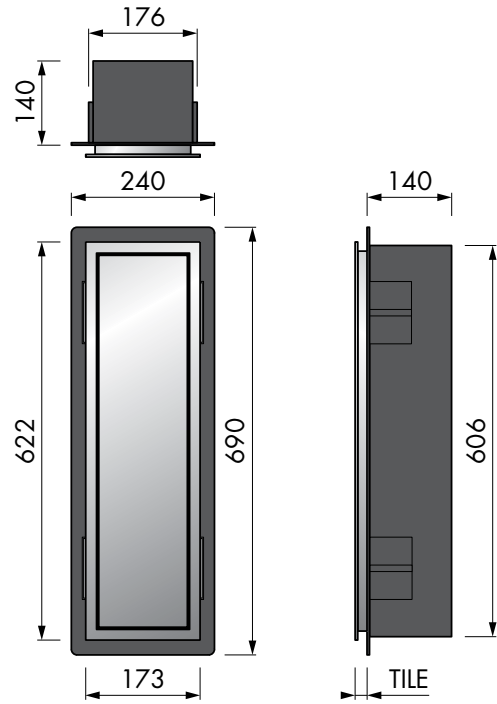
FOR DRYWALL & SOLID WALL CONSTRUCTION
 Base material: Stainless steel

BUILD-IN TOILET- BRUSH HOLDER & WALL NICHE

Size: 740 x 195 mm
 Surface: Brushed stainless steel
 Article code: TCL-6



(Delivery includes brush set) + Build-in element

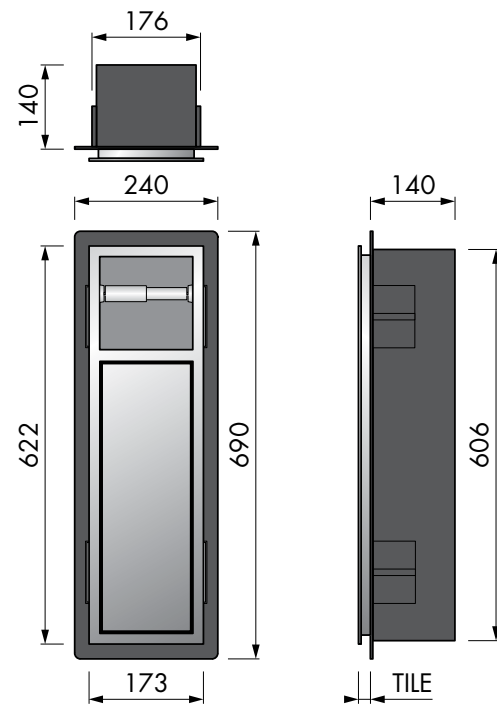


BUILD-IN TOILET- BRUSH HOLDER & PAPERHOLDER

Size: 707 x 195 mm
 Surface: Brushed stainless steel
 Article code: TCL-7



(Delivery includes brush set) + Build-in element



CONTAINER ROLL

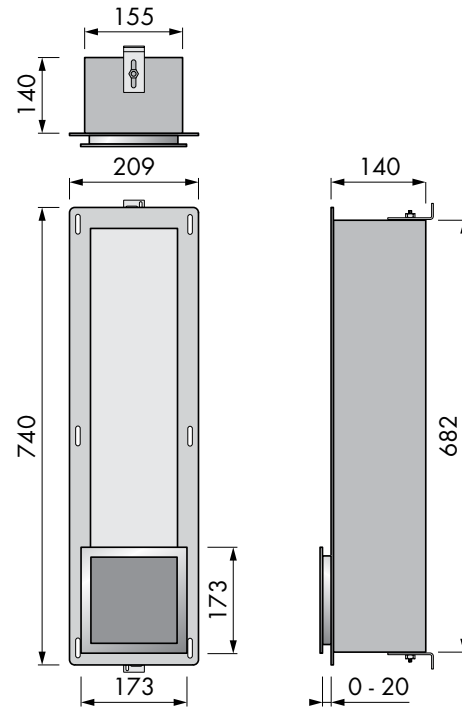
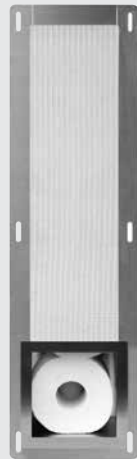


FOR DRYWALL & SOLID WALL CONSTRUCTION

Base material: Stainless steel

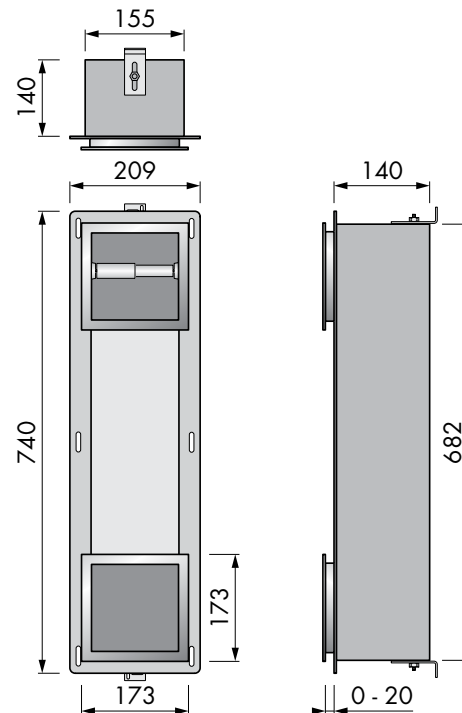
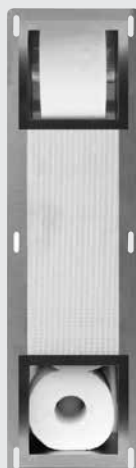
TOILET PAPER STORAGE FOR 6 ROLLS

Size: 740 x 195 mm
 Surface: Brushed stainless steel
 Article code: TCL-1



TOILET PAPER HOLDER INCLUDING STORAGE HOLDER FOR 5 ROLLS

Size: 740 x 195 mm
 Surface: Brushed stainless steel
 Article code: TCL-5



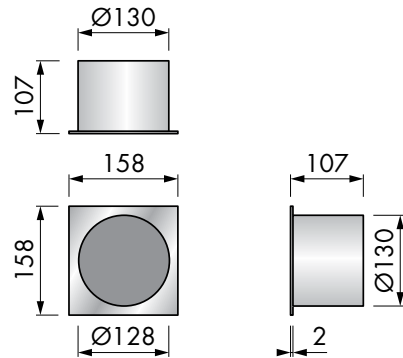


FOR DRYWALL & SOLID WALL CONSTRUCTION

Base material: Stainless steel

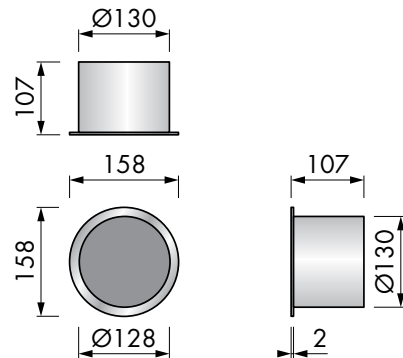
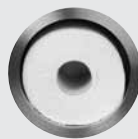
TOILET PAPER STORAGE SQUARE FOR 1 ROLL

Size: 158x158x107 mm
 Surface: Brushed stainless steel
 Article code: TCL-2



TOILET PAPER STORAGE ROUND FOR 1 ROLL

Size: 158x158x107 mm
 Surface: Brushed stainless steel
 Article code: TCL-3



TOILET PAPER HOLDER SQUARE

Size: 158x158x87 mm
 Surface: Brushed stainless steel
 Article code: TCL-4

