
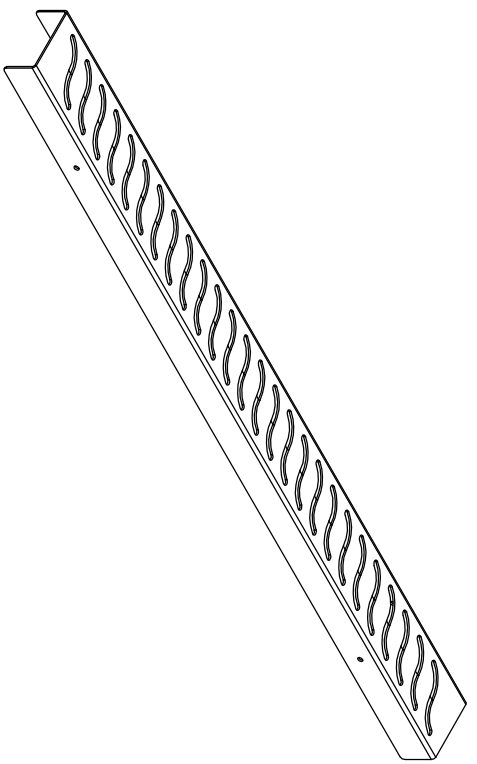
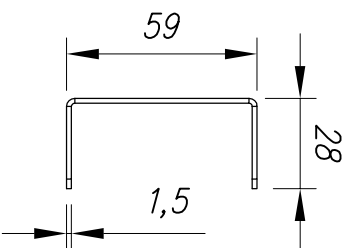
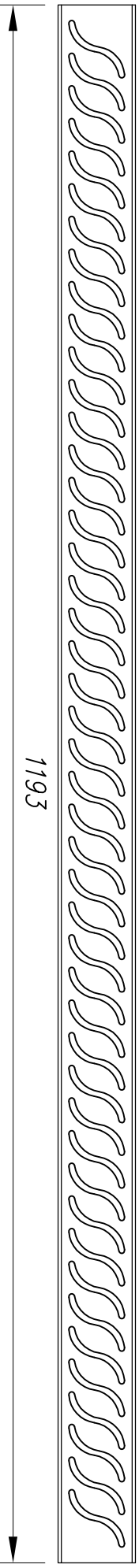
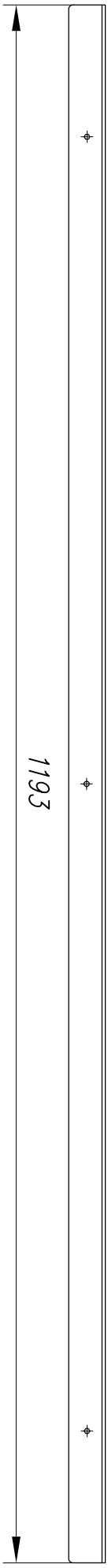



Firma/Company		Zam. nr/Order no		Uwagi/Description:	
<b>RENNIEKSPERT</b>		<b>Z/15/1559</b>		Project: QUADRO GRATING L=1193mm	
szt./pcs.: <b>4</b>		spadek/slope:		Material: $\varnothing$ 1,5mm, 304	
Odpływ/Outlet:		type		Ruszt/Grating: QUADRO	
Mpehn./Backfill:		rubber <input type="checkbox"/> /quinn <input type="checkbox"/>		Ark./Sheet: 1/8	
		/profile <input type="checkbox"/>		RYS.-NR/DRAM.-NO: <b>MUS/150805/1</b>	
		/spadek <input type="checkbox"/>			
		/high <input type="checkbox"/>			
		/plaskownik <input type="checkbox"/>			
		/epoxy <input type="checkbox"/>			

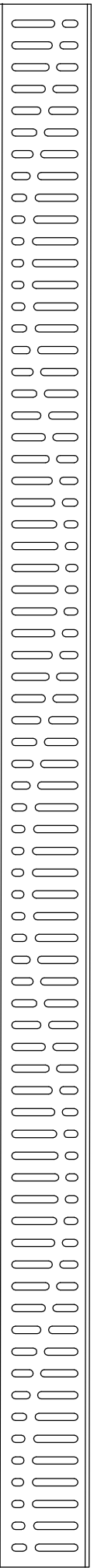
ATT Sp. z o.o. ul. Albatrosów 16C, 30-716 Kraków, Poland tel: +48 12 290 29 30 fax: +48 290 29 31, e-mail: att@att.eu, www.att.eu



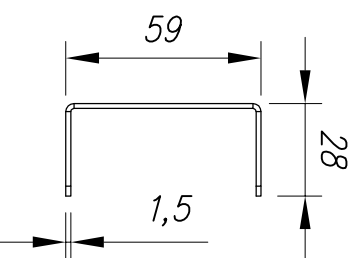
Firma/Company		Zam. nr/Order no		Uwagi/ Description:	
<b>RENNIEKSPERT</b>		<b>Z/15/1559</b>			
szt./pcs:	4	spadek/slope:		Ark./Sheet:	2/8
Oddym/Outlet:	type			RYS.-NR/DRAM.-NO:	<b>MUS/150805/1</b>
Wpehn./Backfill:	rubber <input type="checkbox"/> /quinn <input type="checkbox"/>	/profile <input type="checkbox"/>	/figt <input type="checkbox"/>		
		/Płaskownik <input type="checkbox"/>	/epoxy <input type="checkbox"/>		
Project:		VIPERA GRATING L=1193mm			
Material:		φ 1,5mm, 304			
Ruszt/Grating:		VIPERA			



993



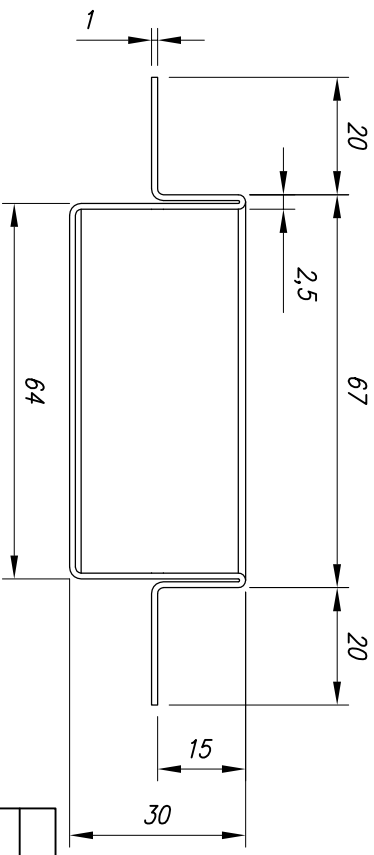
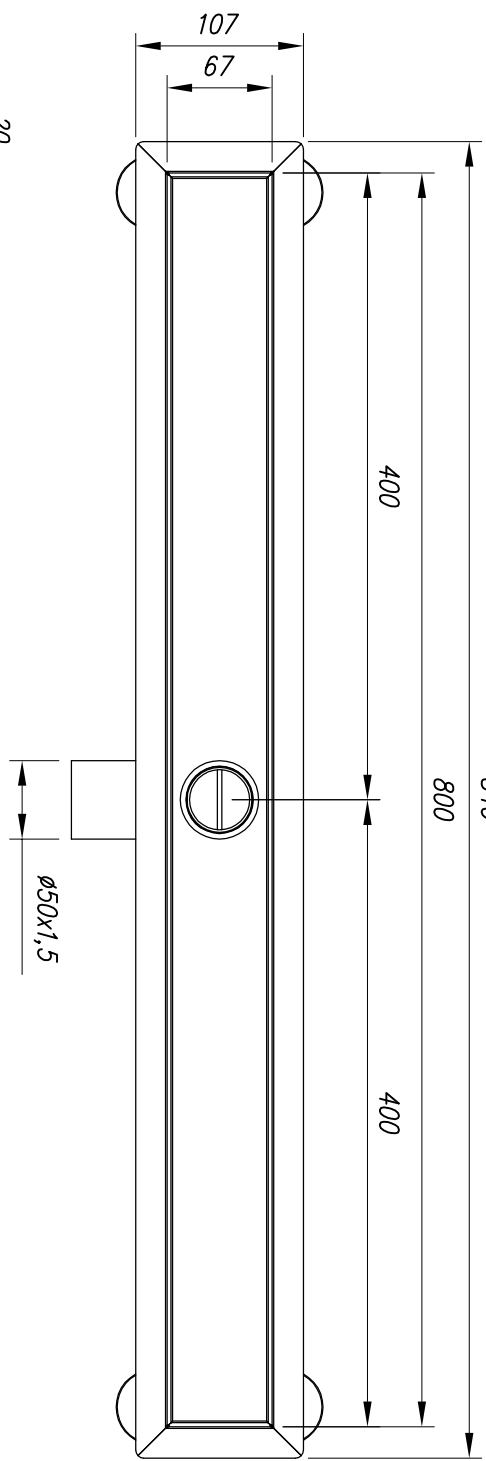
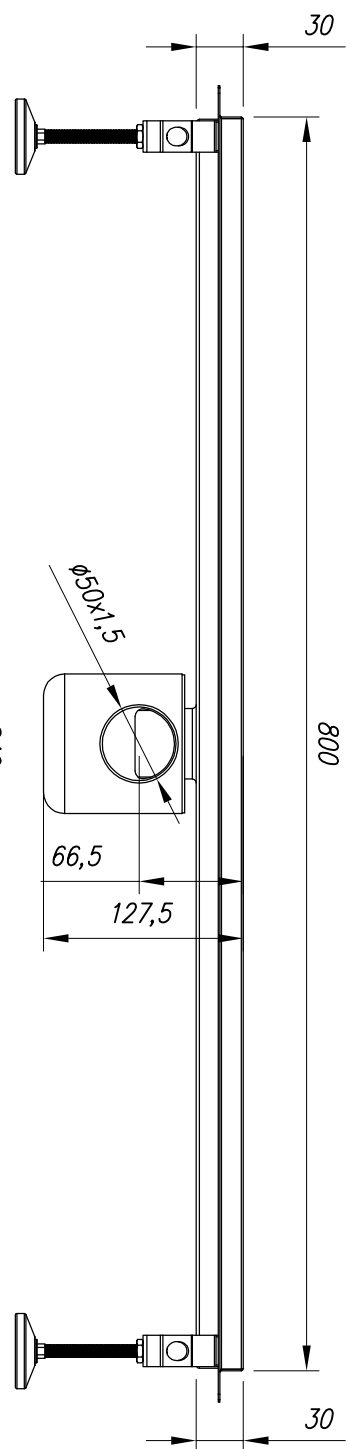
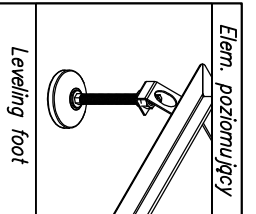
993



Uwagi/ Description:		Project:		MURENA GRATING L=993mm	
Material:		Ruszt/Grating:		MURENA	
Ark./Sheet:		3/8		ARK.-NR/DRAM.-NO:	
MUS/150805/1		RYS.-NR/DRAM.-NO:		MUS/150805/1	
Firma/Company		Zam. nr/Order no		Z/15/1559	
szk./pcs.: 5		spadek/slope:		Ark./Sheet:	
Odpływ/Outlet:		type		RYS.-NR/DRAM.-NO:	
Mpefn./Backfill:		rubber <input type="checkbox"/> /quinn <input type="checkbox"/>		MUS/150805/1	
		/profile <input type="checkbox"/>		ARK.-NR/DRAM.-NO:	
		/height <input type="checkbox"/>		MUS/150805/1	
		/skownik <input type="checkbox"/>		ARK.-NR/DRAM.-NO:	
		/epoxy <input type="checkbox"/>		MUS/150805/1	

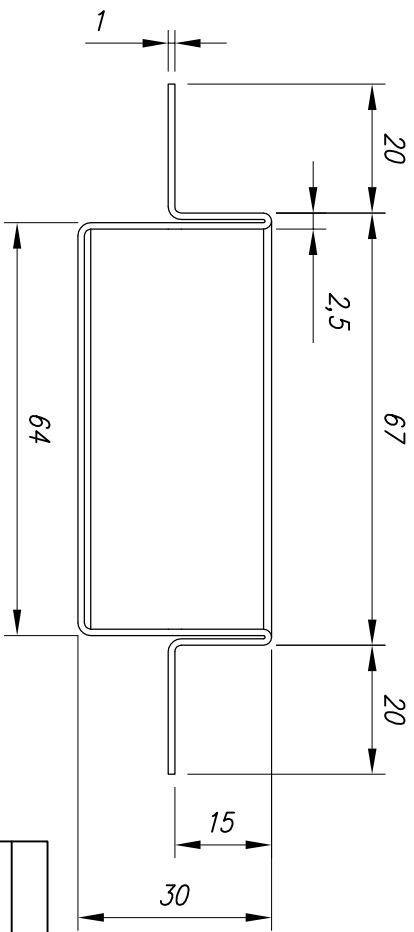
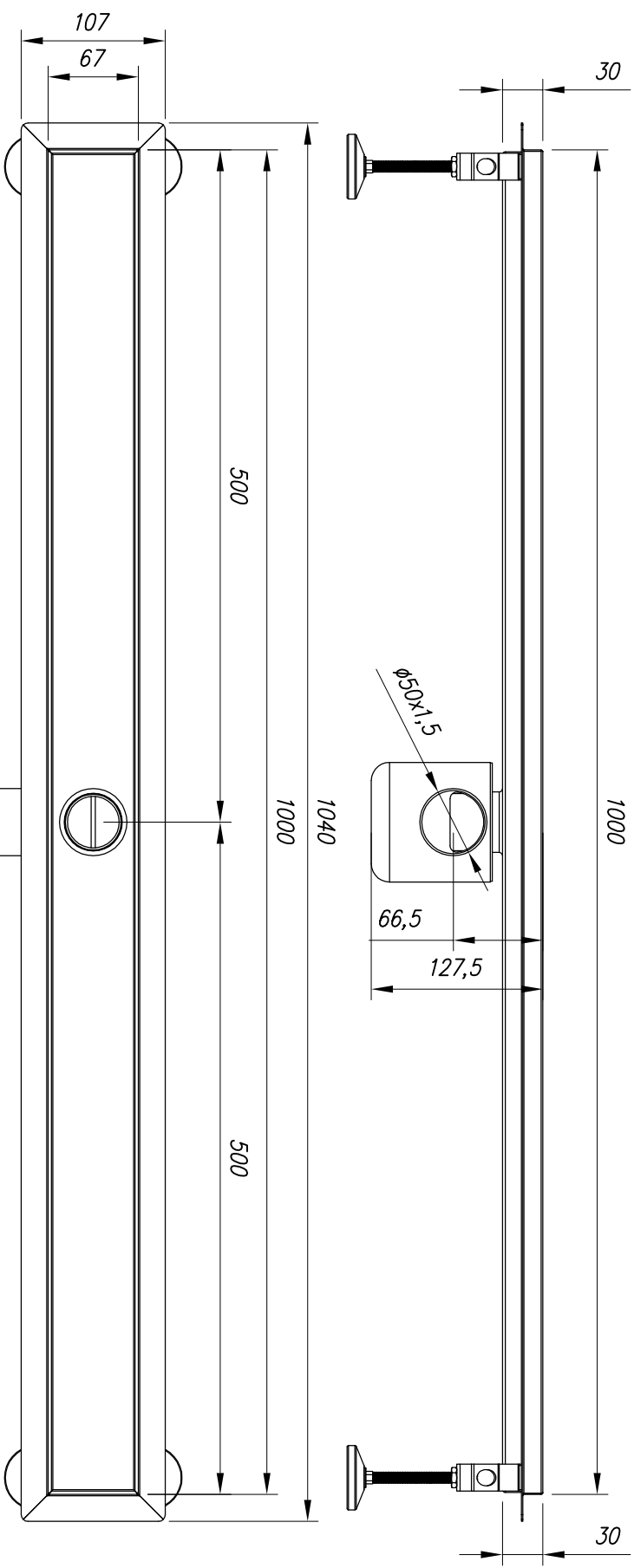
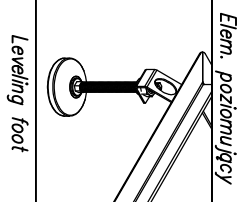






Firma/Company		Zam. nr./Order no		Uwagi/ Description:	
<b>RENNIEKSPERT</b>		<b>Z/15/1559</b>			
Project:		S67 L=800mm h=127mm			
Material:		ϕ 1,0mm, AISI 304			
Ruszt./Grating:		-			
szt./pcs.: <b>3</b>		spadek/slope: 0,0%		Ark./Sheet: <b>5/8</b>	
Odpływ/Outlet:		type $\phi 50 \times 1,5$ mm		RYS.-NR./DRAW.-NO: <b>MUS/150805/1</b>	
Wypełn./Backfill:		<input type="checkbox"/> rubber / <input type="checkbox"/> profile / <input type="checkbox"/> $\text{HGT}$ / <input type="checkbox"/> $\text{PŁASKOWNIK}$ / <input type="checkbox"/> epoxy			

ATT Sp. z o.o. ul. Albatrosów 16C, 30-716 Kraków, Poland tel: +48 12 290 29 30 fax: +48 290 29 31, e-mail: att@att.eu, www.att.eu

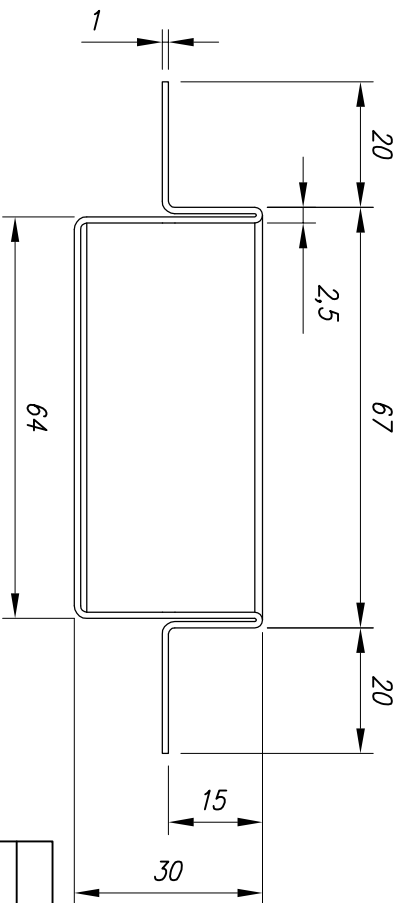
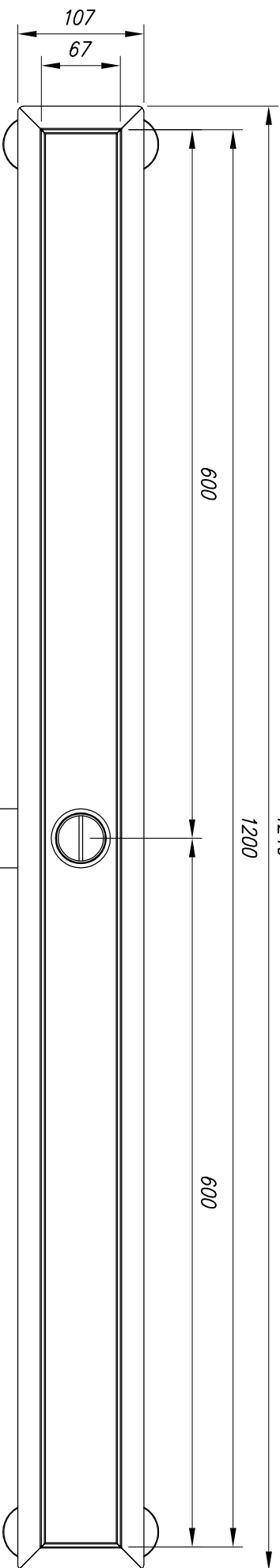
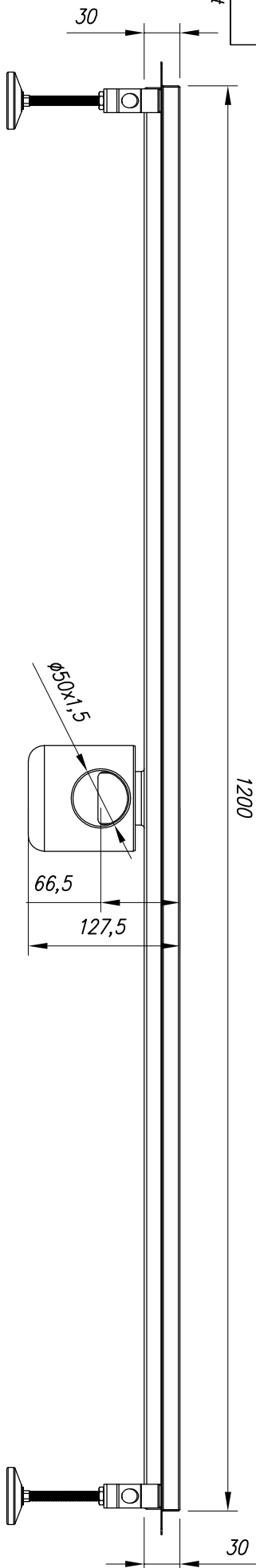
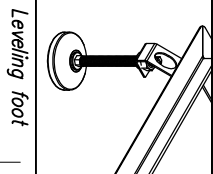



Firma/Company		Zam. nr/Order no		Uwagi/Description:	
<b>RENNIEKSPERT</b>		<b>Z/15/1559</b>			
szt./pcs.: <b>4</b>		spadek/slope: <b>0,0%</b>		Project: <b>S67 L=1000mm h=127mm</b>	
Odpływ/Outlet: <b>type <math>\varnothing</math>50x1,5mm</b>		Ark./Sheet: <b>6/8</b>		Material: <b><math>\varnothing</math> 1,0mm, AISI 304</b>	
Wypełn./Backfill: <b>rubber <input type="checkbox"/> / profile <input type="checkbox"/> / high <input type="checkbox"/> / Płaskownik <input type="checkbox"/> / epoxy <input type="checkbox"/></b>		Ruszt/Grating: <b>-</b>			
<b>MUS/150805/1</b>					

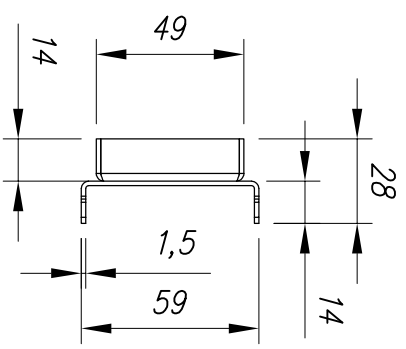
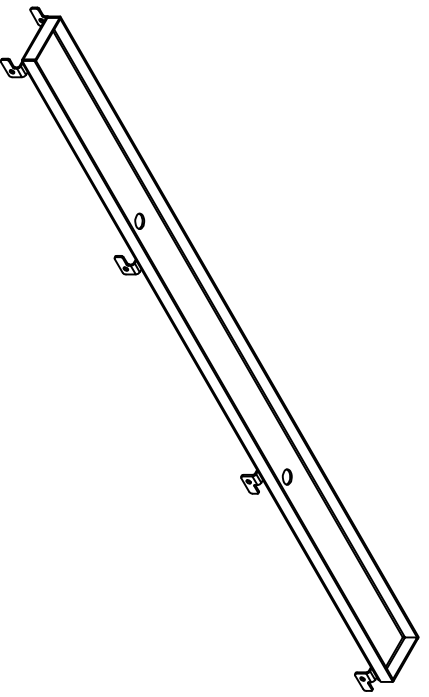
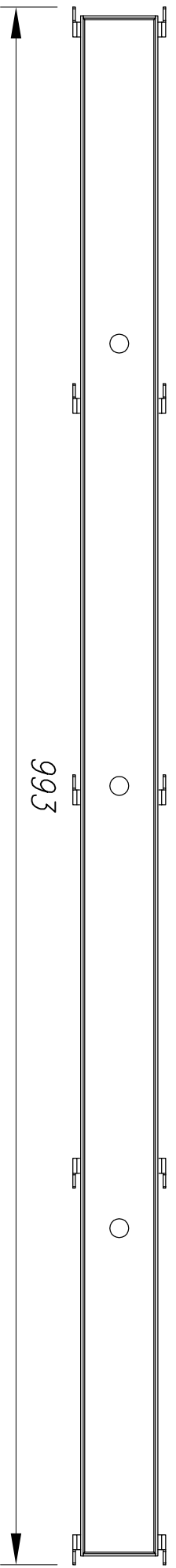
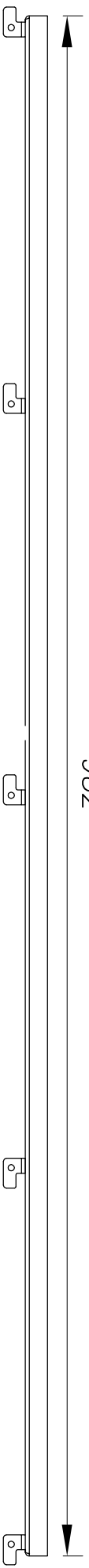
ATT Sp. z o.o. ul. Albatrosów 16C, 30-716 Kraków, Poland tel: +48 12 290 29 30 fax: +48 290 29 31, e-mail: att@att.eu, www.att.eu



Elem. poziomujący



Firma/Company		Zam. nr/Order no		Uwagi/Description:	
<b>RENNIEKSPERT</b>		<b>Z/15/1559</b>			
szt./pcs.: <b>2</b>		spadek/slope: <b>0,0%</b>		Ark./Sheet: <b>7/8</b>	
Odpływ/Outlet: <b>2</b>		type $\varnothing 50 \times 1,5$ mm		RYS.-NR/DRAW.-NO: <b>MUS/150805/1</b>	
Wypełn./Backfill:		rubber <input type="checkbox"/> / profile <input type="checkbox"/> / grt <input type="checkbox"/> / plaster <input type="checkbox"/> / epoxy <input type="checkbox"/>			
Project:		S67 L=1200mm h=127mm			
Material:		$\varnothing 1,0$ mm, AISI 304			
Ruszt/Grating:		-			



Firma/Company		Zam. nr/Order no		Uwagi/Description:	
<b>RENNIEKSPERT</b>		<b>Z/15/1559</b>		PIETRA GRATING L=993mm	
szt./pcs.: <b>2</b>		spadek/slope:		Material: $\varnothing$ 1,5mm, 304	
Odpływ/Outlet: <b>2</b>		type		Ruszt/Grating: <b>PIETRA</b>	
Wypełn./Backfill:		rubber <input type="checkbox"/> /profile <input type="checkbox"/> /height <input type="checkbox"/> /epoxy <input type="checkbox"/>		Ark./Sheet: <b>8/8</b>	
		quinn <input type="checkbox"/> /skosownik <input type="checkbox"/>		RYS.-NR/DRAM.-NO: <b>MUS/150805/1</b>	



ATT Sp. z o.o. ul. Albatrosów 16C, 30-716 Kraków, Poland tel: +48 12 290 29 30 fax: +48 290 29 31, e-mail: att@att.eu, www.att.eu